

**Model: TMPA-050075-3530-15**
**Power Amplifier**  
**50-75GHz, Gain:35 dB, Psat:30 dBm**
**Feature:**

- Frequency Range: 50-75 GHz
- Gain:35 dB Type
- Output Power Psat:30 dBm Type
- Good Power and Gain Flatness

**Electrical Specifications:**

Parameter	Min	Typ	Max	Units
Frequency range	50-75			GHz
Small Signal Gain		35		dB
Gain Flatness		±2.5		dB
Power Gain		28		dB
Output Psat	29	30		dBm
Input Return Loss		-10		dB
Output Return Loss		-8		dB
DC Voltage		16		V DC
DC Supply Current		0.7		A

**Mechanical Specifications:**

Parameter	Value	Units
Input /Output Connector	WR-15/UG-385/U	
DC Bias	Solder Pin	
Size	50*50*20	mm
Weight	/	g

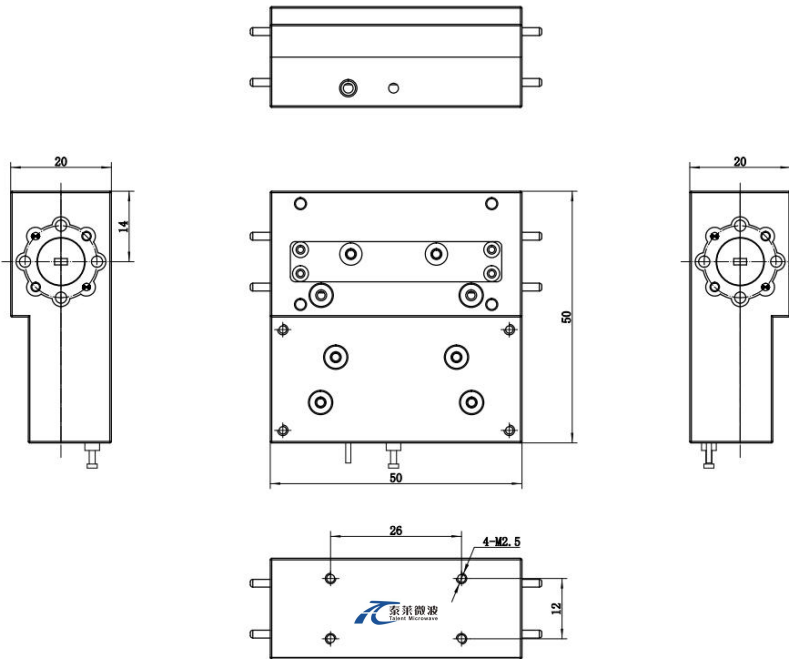
**Absolute Maximum Ratings:**

Parameter	Value
Supply Bias Voltage	+20 V
RF Input Power	15 dBm
ESD sensitivity (HBm)	Class 0, passed 150V


 Available 220V System  
 Benchtop Amplifier

**Outline Drawing:**

Unit: mm



**Environmental Conditions:**



OBSERVE PRECAUTIONS  
ELECTROSTATIC SENSITIVE  
DEVICES

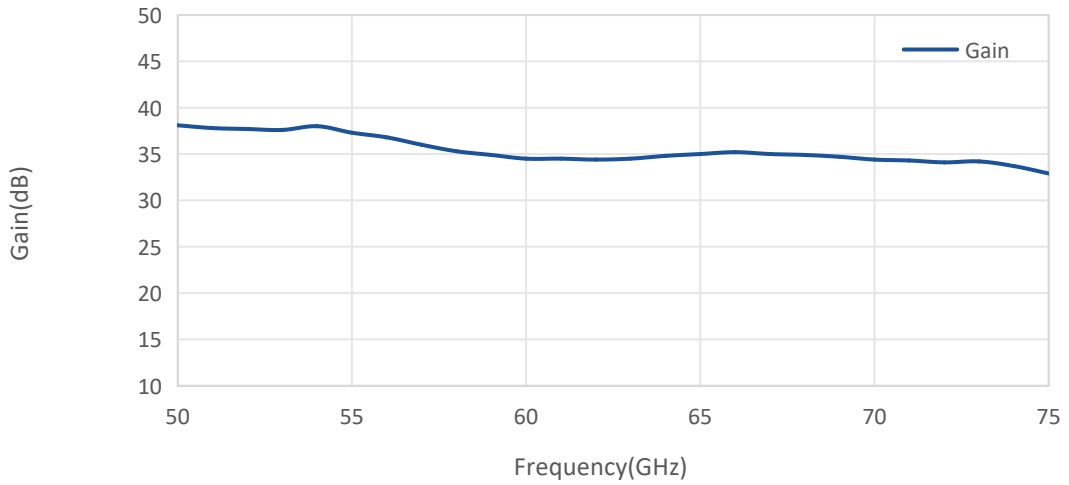
Parameter	Min	Typ	Max	Units
Operating Temperature	-10		+65	°C
Non-operating Temperature	-55		+125	°C
Relative humidity		95		%
Altitude	50,000			feet
Shock / Vibration(MIL-STD-810F)	25g rms (15 degree 2KHz) endurance, 1 hour per axis			
Shock(non operating)	20G for 11msc half sin wave,3 axis both directions			

**Ordering Information:**

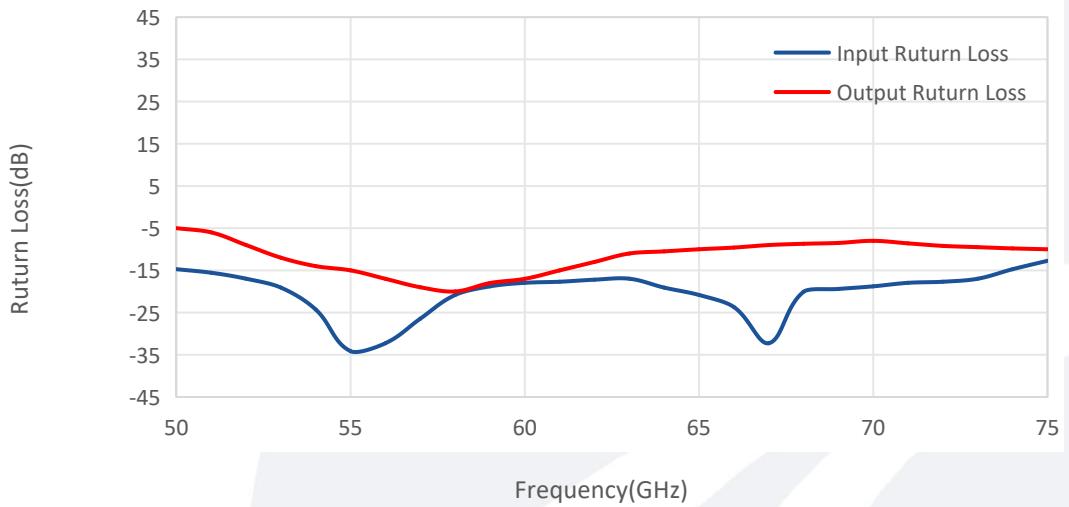
Part Number	Description	Revision
TMPA-050075-3530-15	Power Amplifier, 50-75 GHz, Gain:35 dB Type, Psat:30 dBm Type, +16V DC,WR-15	Rev.1.1

Typical Performance Data:

Gain vs Frequency



Return Loss vs Frequency



Psat vs Frequency

