

**Part No : TT25-6-N**

DC-6GHz,25W,N Female/Male Coaxial Fixed Terminations

**Electrical Specifications:**

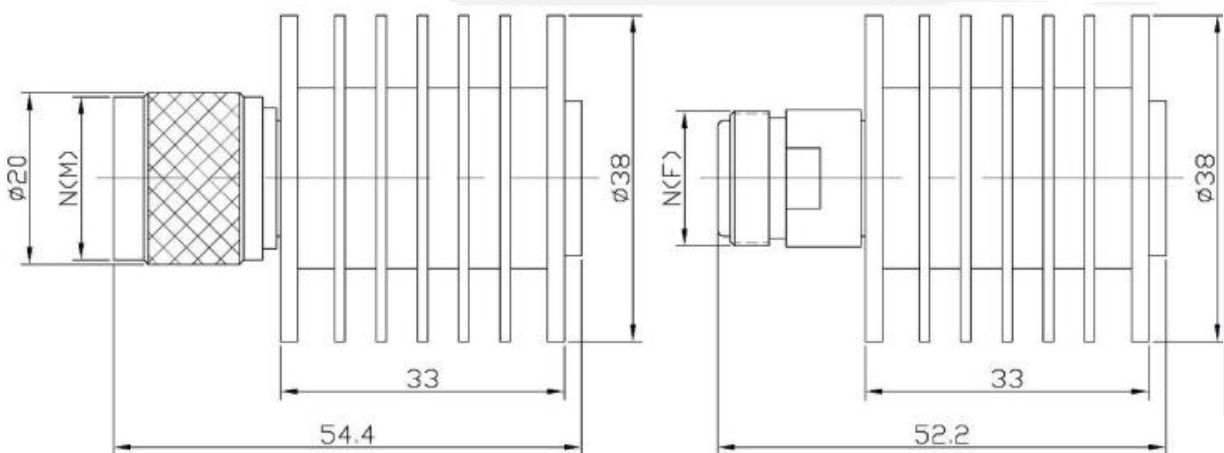
|                    |                          |
|--------------------|--------------------------|
| Frequency Range:   | DC-6 GHz                 |
| VSWR:              | DC-3GHz,≤1.15 @Max       |
|                    | DC-4GHz,≤1.20 @Max       |
|                    | DC-6GHz,≤1.25 @Max       |
| RF Power Handling: | ≤25Watts Average at 25°C |
| Impedance:         | 50 Ohms                  |

**Mechanical Specifications:**

|                        |                                    |
|------------------------|------------------------------------|
| Operation Temperature: | -55°C - +100°C                     |
| Storage Temperature:   | -55°C - +100°C                     |
| Body Material:         | Black, Finned Aluminum             |
| Center Conductor:      | Gold-plated, Phosphor bronze       |
| Connectors:            | N Female/Male, Nickel plated Brass |
| Weight:                | 80g                                |

**Outline Drawing:**

Unit: mm



**Ordering Information:**

| Part Number | Description                                         |
|-------------|-----------------------------------------------------|
| TT25-6-N    | DC-6GHz,25W,N Female/Male Coaxial Fixed Termination |

Typical Performance Data:

Input VSWR vs Frequency

