

**Part No : TT20-40-K2**

DC-40GHz,20W,2.92mm Male Coaxial Fixed Terminations

**Electrical Specifications:**

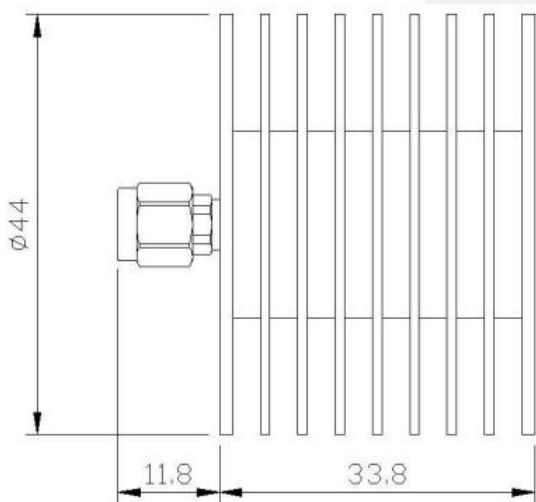
Frequency Range:	DC-40GHz
VSWR:	≤1.3
RF Power Handling:	≤20Watts average at 25°C
Peak Power:	≤200W
Impedance:	50 Ohms

**Mechanical Specifications:**

Operation Temperature:	-55°C - +125°C
Storage Temperature:	-55°C - +125°C
Body Material:	Black, Finned Aluminum
Center Conductor:	Becu, Golden
Connectors:	2.92mm Male
Relative Humidity:	90%

**Outline Drawing:**

Unit: mm



**Ordering Information:**

Part Number	Description
TT20-40-K2	DC-40GHz,20W,2.92mm Male Coaxial Fixed Termination