

**Part No : TT10-40-K-F**

DC-40GHz,10W,2.92mm FeMale Coaxial Fixed Terminations

**Electrical Specifications:**

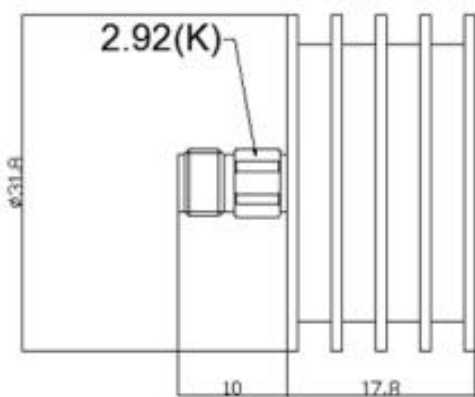
Frequency Range:	DC-40GHz
VSWR:	≤1.25
RF Power Handling:	≤10Watts
Impedance:	50 Ohms

**Mechanical Specifications:**

Operation Temperature:	-55°C - +125°C
Storage Temperature:	-55°C - +125°C
Body Material:	Black, Finned Aluminum
Center Conductor:	Beryllium Bronze Gold
Connectors:	2.92mm FeMale
Relative Humidity:	90%

**Outline Drawing:**

Unit: mm



**Ordering Information:**

Part Number	Description
TT10-40-K-F	DC-40GHz,10W,2.92mm FeMale Coaxial Fixed Termination