

Part No : TT10-40-K

DC-40GHz,10W,2.92mm Male Coaxial Fixed Terminations

Electrical Specifications:

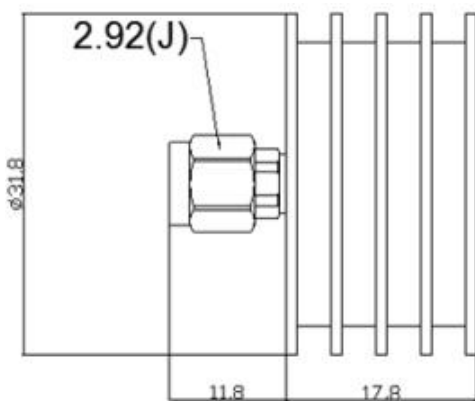
Frequency Range:	DC-40GHz
VSWR:	≤1.25
RF Power Handling:	≤10Watts
Impedance:	50 Ohms

Mechanical Specifications:

Operation Temperature:	-55°C - +125°C
Storage Temperature:	-55°C - +125°C
Body Material:	Black, Finned Aluminum
Center Conductor:	Beryllium Bronze Gold
Connectors:	2.92mm Male
Relative Humidity:	90%

Outline Drawing:

Unit: mm



Ordering Information:

Part Number	Description
TT10-40-K	DC-40GHz,10W,2.92mm Male Coaxial Fixed Termination