

Part No : TT10-6-N

DC-6GHz,10W,N Female/Male Coaxial Fixed Terminations

Electrical Specifications:

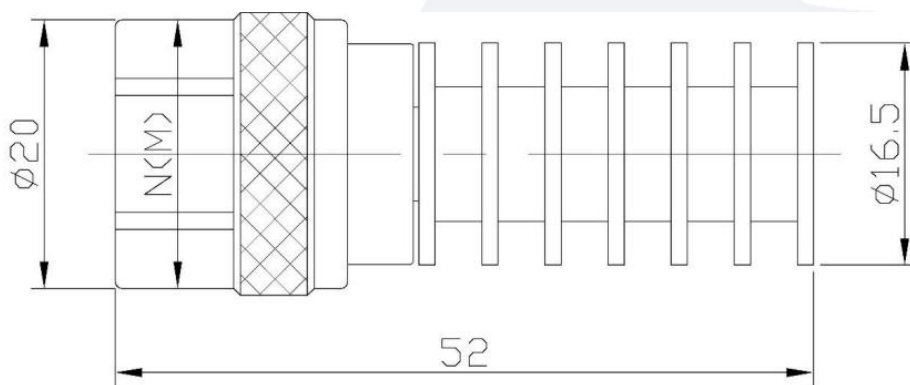
Frequency Range: DC-6 GHz
 VSWR: DC-3GHz,≤1.15 @Max
 DC-4GHz,≤1.20 @Max
 DC-6GHz,≤1.25 @Max
 RF Power Handling: ≤10Watts Average at 25°C
 Impedance: 50 Ohms

Mechanical Specifications:

Operation Temperature: -55°C - +100°C
 Storage Temperature: -55°C - +100°C
 Body Material: Black, Finned Aluminum
 Center Conductor: Gold-plated, Phosphor bronze
 Connectors: N Female/Male, Nickel plated Brass
 Weight: 45g

Outline Drawing:

Unit: mm



Ordering Information:

Part Number	Description
TT10-6-N	DC-6GHz,10W,N Female/Male Coaxial Fixed Termination