

Part No : TT2-26.5-S

DC-26.5GHz,2W,SMA Male Coaxial Fixed Terminations

Electrical Specifications:

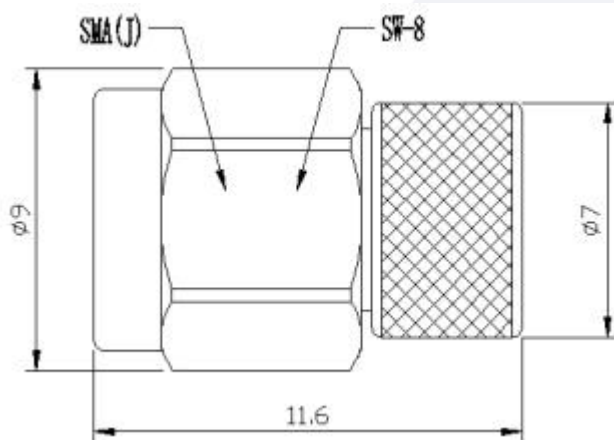
Frequency Range: DC-26.5 GHz
 VSWR: ≤ 1.25 @Max
 RF Power Handling: ≤ 2 Watts
 Impedance: 50 Ohms

Mechanical Specifications:

Operation Temperature: $-55^{\circ}\text{C} - +125^{\circ}\text{C}$
 Storage Temperature: $-55^{\circ}\text{C} - +125^{\circ}\text{C}$
 Body Material: Stainless Steel Passivation
 Connectors: SMA Male
 Center Conductor: Gold-plated brass
 Relative Humidity: $\leq 90\%$

Outline Drawing:

Unit: mm



Ordering Information:

Part Number	Description
TT2-26.5-S	DC-26.5GHz,2W,SMA Male Coaxial Fixed Termination