

Part No : TT2-18-N-S

DC-18GHz,2W,N Male Coaxial Fixed Terminations

Electrical Specifications:

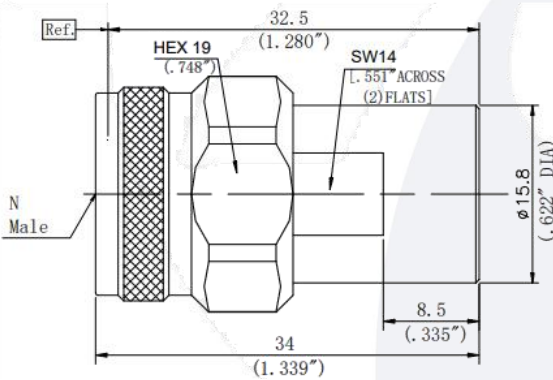
Frequency Range: DC-18 GHz
VSWR: ≤ 1.15 @Max
RF Power Handling: ≤ 2 Watts
Impedance: 50 Ohms

Mechanical Specifications:

Operation Temperature: $-55^{\circ}\text{C} - +125^{\circ}\text{C}$
Storage Temperature: $-55^{\circ}\text{C} - +125^{\circ}\text{C}$
Body Material: Stainless Steel 303
Connectors: N Male
Center Conductor: BeCu, Golden
Relative Humidity: $\leq 90\%$

Outline Drawing:

Unit: mm



Ordering Information:

Part Number	Description
TT2-18-N-S	DC-18GHz,2W,N Male Coaxial Fixed Termination

典型曲线 Typical Performance Data:

Input VSWR vs Frequency

