

**Part No : TT1-50-2.4-S-F**

DC-50GHz,1W,2.4mm FeMale Coaxial Fixed Terminations

**Electrical Specifications:**

Frequency Range:	DC-50GHz
VSWR:	≤1.3
RF Power Handling:	≤1Watts
Impedance:	50 Ohms

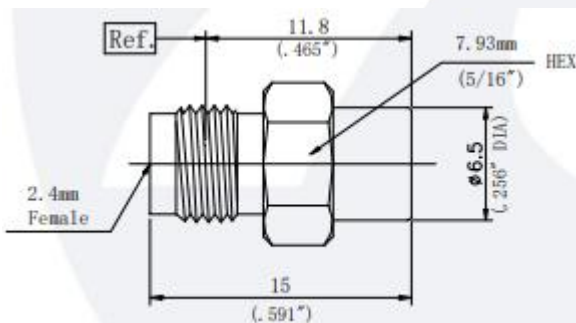
**Mechanical Specifications:**

Operation Temperature:	-55°C - +125°C
Storage Temperature:	-55°C - +125°C
Body Material:	Stainless Steel 303
Center Conductor:	Becu, Golden
Connectors:	2.4mm FeMale
Relative Humidity:	90%



**Outline Drawing:**

Unit: mm



**Ordering Information:**

Part Number	Description
TT1-50-2.4-S-F	DC-50GHz,1W,2.4mm FeMale Coaxial Fixed Termination