

Part No : RT5-12.4-N

DC-12.4GHz,5W,N Male Coaxial Fixed Terminations

Electrical Specifications:

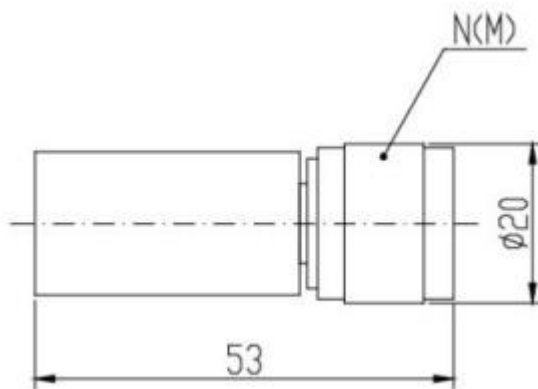
Frequency Range:	DC-12.4GHz
VSWR:	≤1.25 @Max
RF Power Handling:	≤5Watts
Impedance:	50 Ohms

Mechanical Specifications:

Operation Temperature:	-55°C - +125°C
Storage Temperature:	-55°C - +125°C
Body Material:	Nickel plated Brass
Center Conductor:	Male:Brass, Golden
Connectors:	N Male
Relative Humidity:	≤90%

Outline Drawing:

Unit: mm



Ordering Information:

Part Number	Description
RT5-12.4-N	DC-12.4GHz,5W,N Male Coaxial Fixed Termination