

Part No : RT2-18-SMP-K

DC-18GHz,2W,SMP FeMale Coaxial Fixed Terminations

Electrical Specifications:

Frequency Range:	DC-18GHz
VSWR:	≤1.35
RF Power Handing:	≤2Watts
Impedance:	50 Ohms

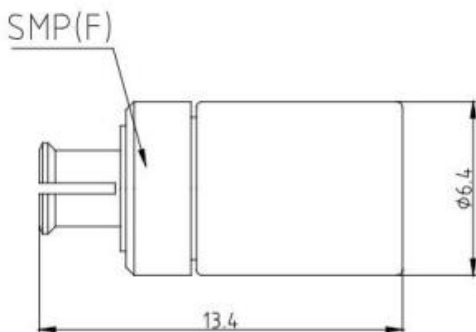
Mechanical Specifications:

Operation Temperature:	-55°C - +125°C
Storage Temperature:	-55°C - +125°C
Body Material:	Stainless Steel
Center Conductor:	Female:Brass, Golden
Connectors:	SMP FeMale
Relative Humidity:	≤90%



Outline Drawing:

Unit: mm



Ordering Information:

Part Number	Description
RT2-18-SMP-K	DC-18GHz,2W,SMP FeMale Coaxial Fixed Termination