

**Model: TLDCADC1.5G-14-14**
**DC Coupled Amplifier**
**DC-1.5GHz, Gain:16dB, P1dB:14dBm**
**Feature:**

- Ultra Wide Band: DC-1.5GHz
- Gain:15dB Min
- P1dB Output Power:14dBm Min
- Internally Voltage Regulated
- 50 Ohm Matched Input / Output

**Electrical Specifications:**

Parameter	Min	Typ	Max	Units
Frequency range	DC-1.5			GHz
Gain		16		dB
3-dB Bandwidth		1500		MHz
Output P1dB	+14	+15		dBm
Noise Figure			16	dB
Input VSWR		1.8		:1
Output VSWR		1.3		:1
Input Power		10		dBm
DC Voltage		+12	+16	V DC
DC Supply Current		55		mA
Impedance	50			Ohms

**Mechanical Specifications:**

Parameter	Value	Units
Input /Output Connector	SMA Female/SMA Female	
DC Bias	Solder Pin	
Size	29.2*44.8*11	mm
Weight	/	g

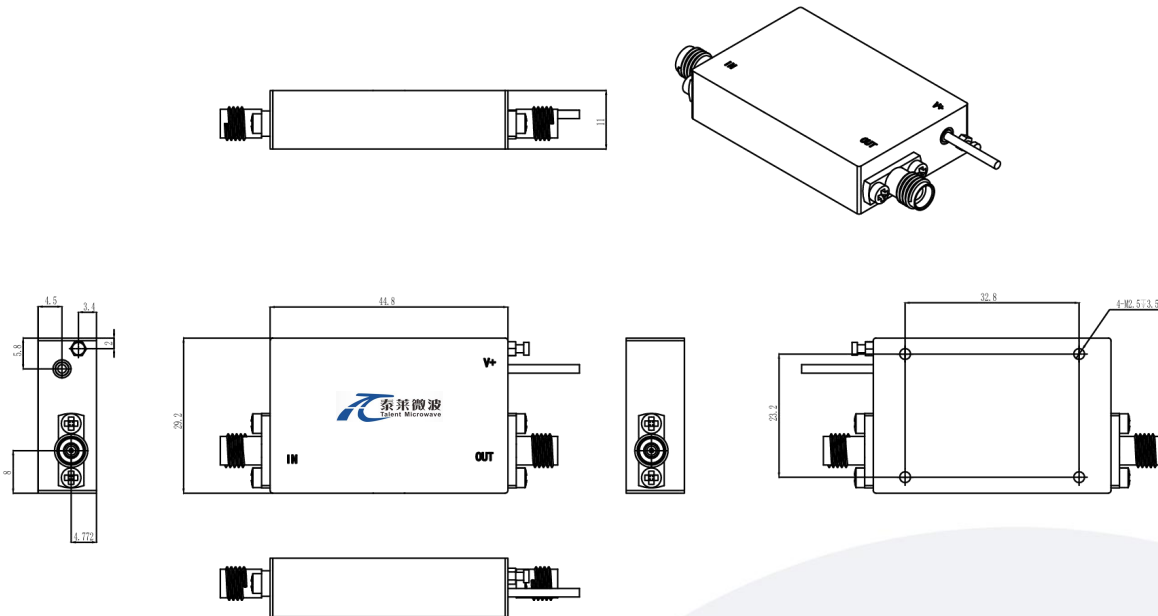
**Absolute Maximum Ratings:**

Parameter	Value
Supply Bias Voltage	+12V
RF Input Power	10 dBm
ESD sensitivity (HBm)	Class 0, passed 150V


**Available 220V System  
Benchtop Amplifier**

外Outline Drawing:

Unit: mm



Environmental Conditions:



OBSERVE PRECAUTIONS  
ELECTROSTATIC SENSITIVE  
DEVICES

Parameter	Min	Typ	Max	Units
Operating Temperature	-45		+85	°C
Non-operating Temperature	-55		+125	°C
Relative humidity		95		%
Altitude	30,000			feet
Shock / Vibration(MIL-STD-810F)	25g rms (15 degree 2KHz) endurance, 1 hour per axis			
Shock(non operating)	20G for 11msc half sin wave,3 axis both directions			

Ordering Information:

Part Number	Description	Revision
TLDCADC1.5G-14-14	DC Coupled amplifier DC-1.5GHz,Gain:16dB,P1dB:14dBm,+12V DC.	Rev.1.1