

## SP9T Coaxial Switches

R19-SN12T18-D, Coaxial Switches, 1P9T, SMA, Normally open, 12VDC, TTL, DC to 18 GHz, DSUB-15

R19-SN24T18-D, Coaxial Switches, 1P9T, SMA, Normally open, 24VDC, TTL, DC to 18 GHz, DSUB-15

R19-SN28T18-D, Coaxial Switches, 1P9T, SMA, Normally open, 28VDC, TTL, DC to 18 GHz, DSUB-15

### 电气参数 Electrical Characteristics:

参数Parameter	条件Condition
频率范围 Frequency range	DC-18GHz
阻抗 Impedance	50 Ω
开关模式 Operation mode	Normally open
开关顺序 Switch sequence	Break before make
切换时间 Switching time	15 ms max
机械寿命 Mechanical life	1 million min
TTL input	0-0.8 V(OFF), 2.4-5 V(ON)
额定电压 Rated voltage	12      24      28 VDC
工作电流 Operating current at 23 °C	260      140      100 mA



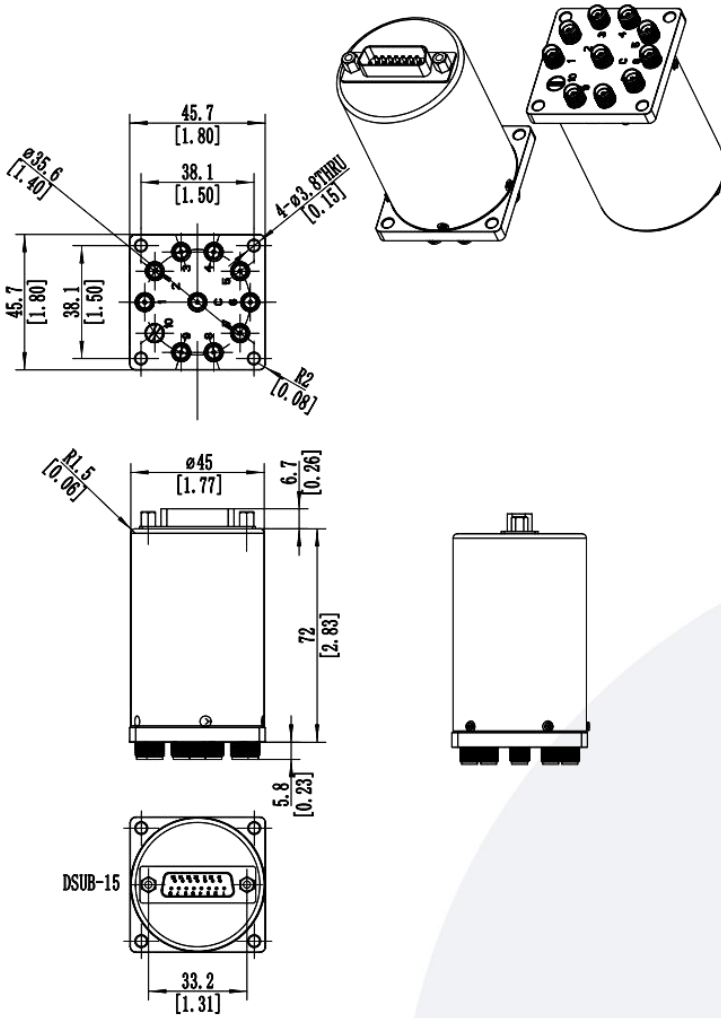
### 射频特性 RF Specifications:

频率范围 FREQUENCY RANGE(GHz)	DC-4	4-8	8-12.4	12.4-18
插入损耗INSERTION LOSS (MAX) dB	0.2	0.3	0.4	0.6
隔离度 ISOLATION (MIN) dB	70	65	60	55
电压驻波比 V.S.W.R. (MAX)	1.2:1	1.3:1	1.4:1	1.6:1

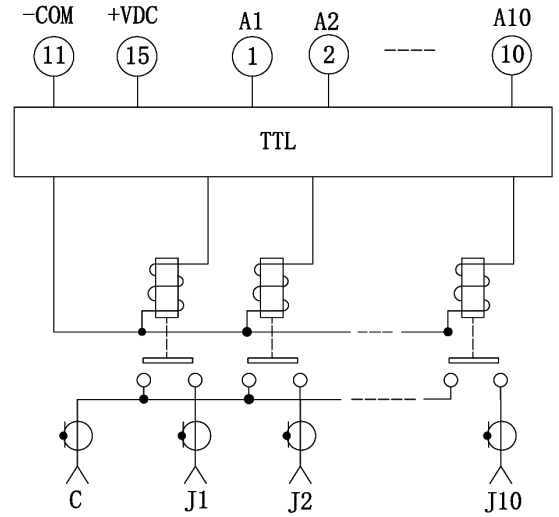
### 环境和物理特性 Environmental And Physical Characteristics:

参数Parameter	条件 Condition
工作温度范围 Operating temperature range	-25°C to +65°C(Standard ) -55°C to +85°C(Optional)
振动 Sine vibration(Operating)	20-2000Hz, 10g
冲击 Shocks(Non Operating)	50g / 11ms, ½ sine
射频接口 RF Connector type	SMA Female
控制接口 Control connector	D-SUB 15Pin male
重量 Weight	225g Max

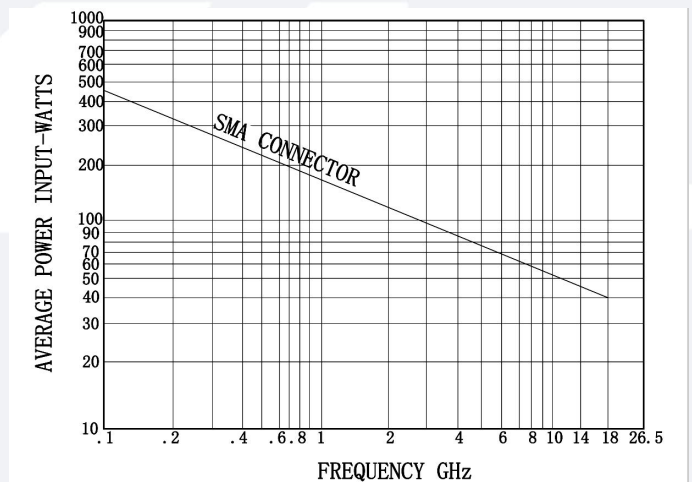
**外形尺寸 Outline Drawing:** Unit: mm



**原理图 Schematic:**



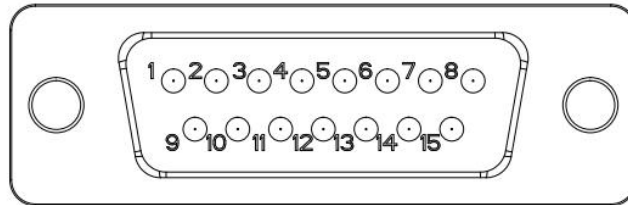
**功率曲线图 Average power:**



This graph is based on the following conditions:

- Ambient temperature: + 25 °C
- Sea level
- V.S.W.R.: 1 and cold switching

### 针脚定义 Pin Definition:



15 PIN D-SUB		RF Connect Used
Pin NO.	Function	SP9T
1	A1	1
2	A2	2
3	A3	3
4	A4	4
5	A5	5
6	A6	6
7	A7	7
8	A8	8
9	A9	9
10	UNUSED	
11	-COM	
12-14	UNUSED	
15	+VDC	

### 标准型号 Part Number:

标准型号 Part Number	额定电压 Rated Voltage	可选项 Option
1P9T		
R19-SN12T18-D	12VDC	-S
R19-SN24T18-D	24VDC	例如:R19-SN12T18-DS
R19-SN28T18-D	28VDC	(备注, S型号满足IP65)