

1P7T Coaxial Switches

R17-KN12026-D, Coaxial Switches, 1P7T, 2.92mm, Normally open, 12VDC, DC to 26.5 GHz, DSUB-15

R17-KN24026-D, Coaxial Switches, 1P7T, 2.92mm, Normally open, 24VDC, DC to 26.5 GHz, DSUB-15

R17-KN28026-D, Coaxial Switches, 1P7T, 2.92mm, Normally open, 28VDC, DC to 26.5 GHz, DSUB-15

电气参数 Electrical Characteristics:

参数Parameter	条件Condition
频率范围 Frequency range	DC-26.5GHz
阻抗 Impedance	50 Ω
开关模式 Operation mode	Normally open
开关顺序 Switch sequence	Break before make
切换时间 Switching time	15 ms max
机械寿命 Mechanical life	1 million min
额定电压 Rated voltage	12 24 28 VDC
工作电流 Operating current at 23 °C	290 150 130 mA



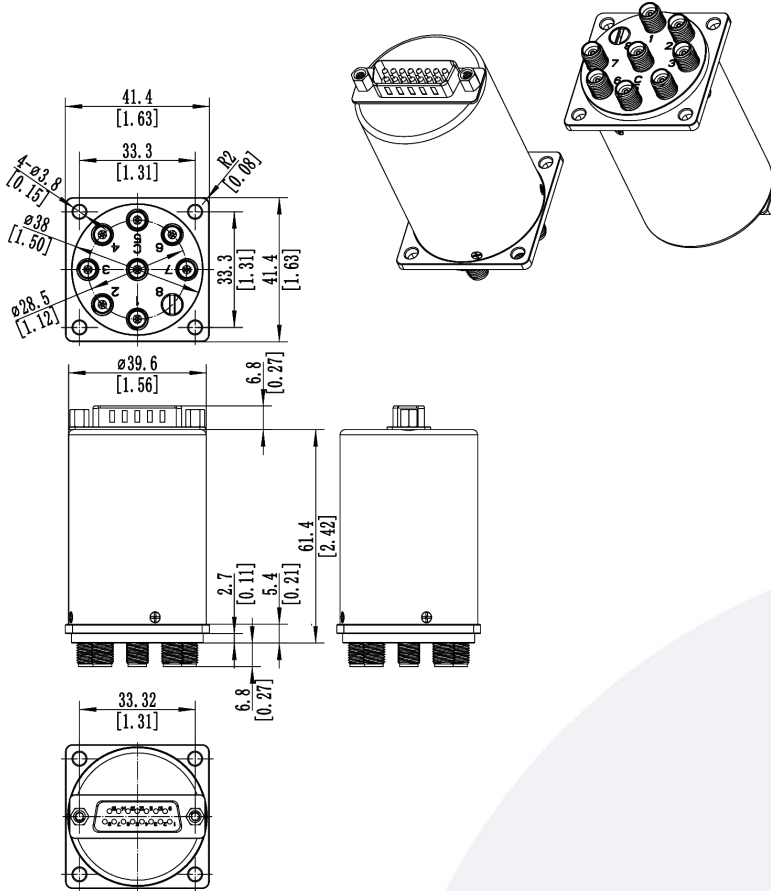
射频特性 RF Specifications:

频率范围 FREQUENCY RANGE(GHz)	DC-4	4-8	8-12.4	12.4-18	18-26.5
插入损耗 INSERTION LOSS (MAX) dB	0.2	0.3	0.4	0.6	0.8
隔离度 ISOLATION (MIN) dB	75	65	60	60	55
电压驻波比 V.S.W.R. (MAX)	1.2:1	1.3:1	1.4:1	1.6:1	1.8:1

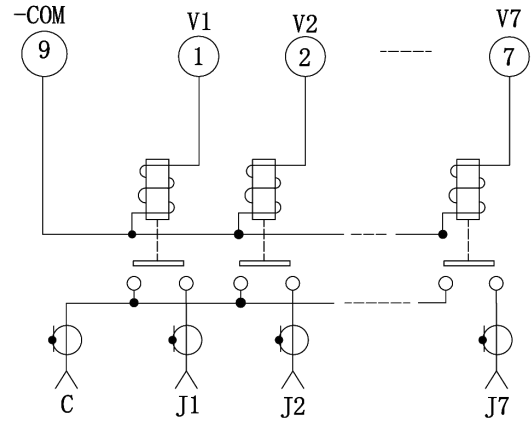
环境和物理特性 Environmental And Physical Characteristics:

参数Parameter	条件 Condition
工作温度范围 Operating temperature range	-25°C to +65°C(Standard) -55°C to +85°C(Optional)
振动 Sine vibration(Operating)	20-2000Hz, 10g
冲击 Shocks(Non Operating)	50g / 11ms, ½ sine
射频接口 RF Connector type	2.92mm Female
控制接口 Control connector	D-SUB 15Pin male
重量 Weight	185g Max

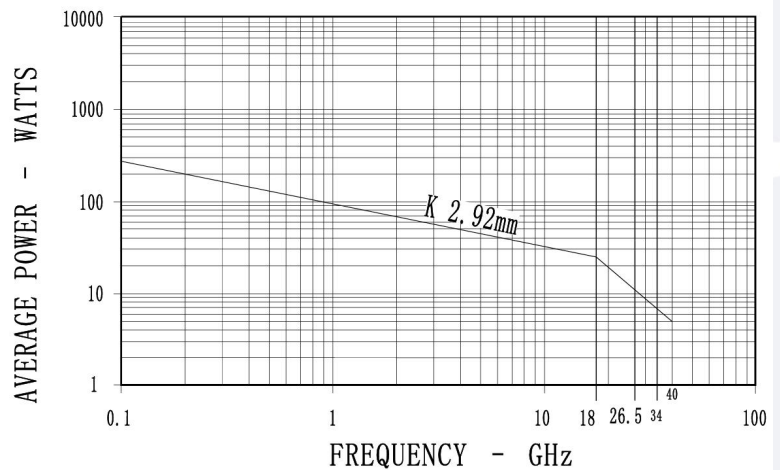
外形尺寸 Outline Drawing: Unit: mm



原理图 Schematic:



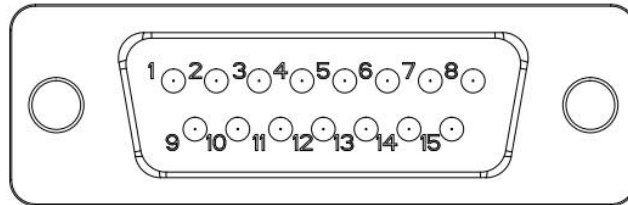
功率曲线图 Average power:



This graph is based on the following conditions:

- Ambient temperature: + 25 °C
- Sea level
- V.S.W.R.: 1 and cold switching

针脚定义 Pin Definition:



15 PIN D-SUB		RF Connect Used
Pin NO.	Function	SP7T
1	V1	1
2	V2	2
3	V3	3
4	V4	4
5	V5	5
6	V6	6
7	V7	7
8	UNUSED	
9	-COM	
10-15	UNUSED	

标准型号 Part Number:

标准型号 Part Number	额定电压 Rated Voltage	可选项 Option
1P7T		
R17-KN12026-D	12VDC	-S
R17-KN24026-D	24VDC	例如:R17-KN12026-DS
R17-KN28026-D	28VDC	(备注, S型号满足IP65)