

## SP6T Coaxial Switches

R16-SN12T18 , Coaxial Switches , 1P6T , SMA , Normally open , 12VDC , TTL , DC to 18 GHz , Solder Pin  
 R16-SN24T18 , Coaxial Switches , 1P6T , SMA , Normally open , 24VDC , TTL , DC to 18 GHz , Solder Pin  
 R16-SN28T18 , Coaxial Switches , 1P6T , SMA , Normally open , 28VDC , TTL , DC to 18 GHz , Solder Pin

### 电气参数 Electrical Characteristics:

参数Parameter	条件Condition
频率范围 Frequency range	DC-18GHz
阻抗 Impedance	50 Ω
开关模式 Operation mode	Normally open
开关顺序 Switch sequence	Break before make
切换时间 Switching time	15 ms max
机械寿命 Mechanical life	1 million min
TTL input	0-0.8 V(OFF), 2.4-5 V(ON)
额定电压 Rated voltage	12      24      28 VDC
工作电流 Operating current at 23 °C	290    150    140 mA



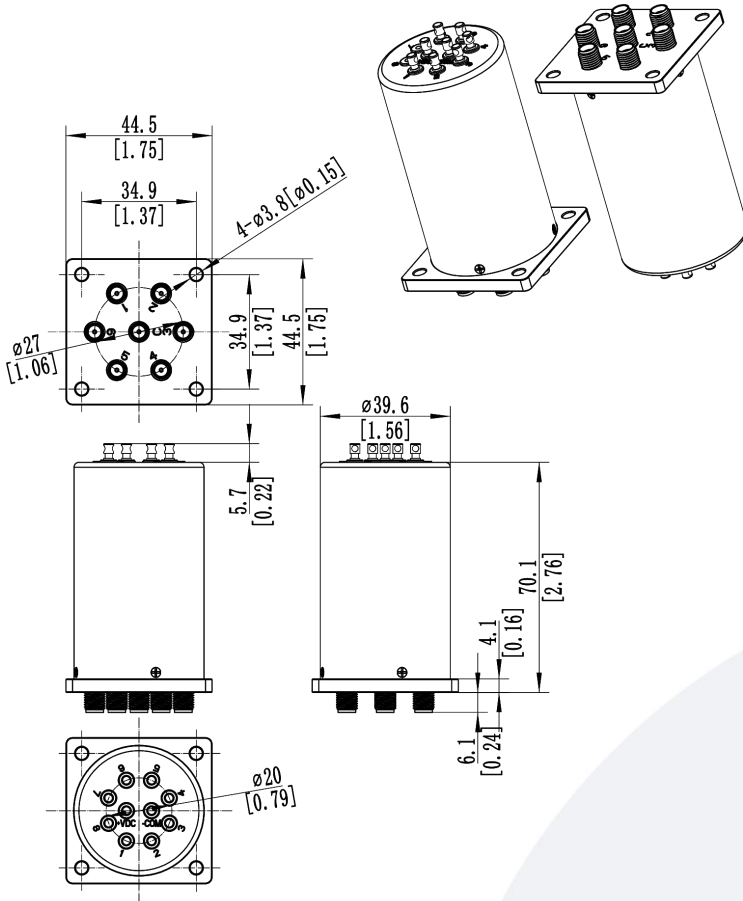
### 射频特性 RF Specifications:

频率范围 FREQUENCY RANGE(GHz)	DC-6	6-12	12-18
插入损耗INSERTION LOSS (MAX) dB	0.3	0.4	0.5
隔离度 ISOLATION (MIN) dB	70	60	60
电压驻波比 V.S.W.R. (MAX)	1.3:1	1.4:1	1.5:1

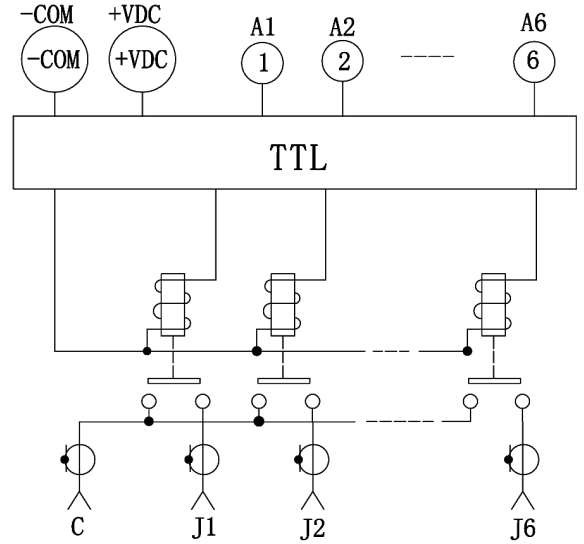
### 环境和物理特性 Environmental And Physical Characteristics:

参数Parameter	条件 Condition
工作温度范围 Operating temperature range	-25°C to +65°C(Standard ) -55°C to +85°C(Optional)
振动 Sine vibration(Operating)	20-2000Hz , 10g
冲击 Shocks(Non Operating)	50g / 11ms, ½ sine
射频接口 RF Connector type	SMA Female
控制接口 Control connector	Solder Pin
重量 Weight	190g Max

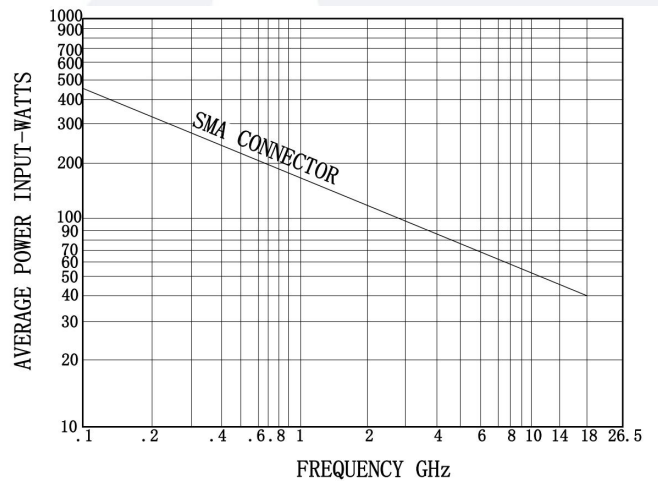
**外形尺寸 Outline Drawing: Unit: mm**



**原理图 Schematic:**



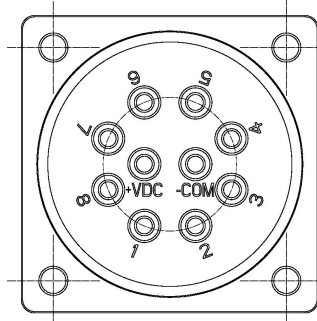
**功率曲线图 Average power:**



This graph is based on the following conditions:

- Ambient temperature: + 25 °C
- Sea level
- V.S.W.R.: 1 and cold switching

### 针脚定义 Pin Definition:



Solder Pin		RF Connect Used
Pin NO.	Function	SP5T
1	A1(TTL IN)	1
2	A2(TTL IN)	2
3	A3(TTL IN)	3
4	A4(TTL IN)	4
5	A5(TTL IN)	5
6	A6(TTL IN)	6
-COM	-COM	
+VDC	+VDC	

### 标准型号 Part Number:

标准型号 Part Number	额定电压 Rated Voltage	可选项 Option
1P6T		
R16-SN12T18	12VDC	-S
R16-SN24T18	24VDC	例如:R16-SN12T18-S
R16-SN28T18	28VDC	(备注, S型号满足IP65)