

SP4T Coaxial Switches

R14-SN12T18-DI, Coaxial Switches, 1P4T, SMA, Normally open, 12VDC, TTL, DC to 18 GHz, DSUB-15, Electronic Type Indicator

R14-SN24T18-DI, Coaxial Switches, 1P4T, SMA, Normally open, 24VDC, TTL, DC to 18 GHz, DSUB-15, Electronic Type Indicator

R14-SN28T18-DI, Coaxial Switches, 1P4T, SMA, Normally open, 28VDC, TTL, DC to 18 GHz, DSUB-15, Electronic Type Indicator

电气参数 Electrical Characteristics:

参数Parameter	条件Condition
频率范围 Frequency range	DC-18GHz
阻抗 Impedance	50 Ω
开关模式 Operation mode	Normally open
开关顺序 Switch sequence	Break before make
切换时间 Switching time	15 ms max
机械寿命 Mechanical life	1 million min
TTL input	0-0.8 V(OFF), 2.4-5 V(ON)
额定电压 Rated voltage	12 24 28 VDC
工作电流 Operating current at 23 °C	290 150 140 mA
指示灯额定值 Indicator rating	Electronic Type Indicator Max withstand voltage: 60VDC Max current capacity: 100mA Max "ON" resistance: 16 Ω Note: VDCi and COM- must be connected to operate.



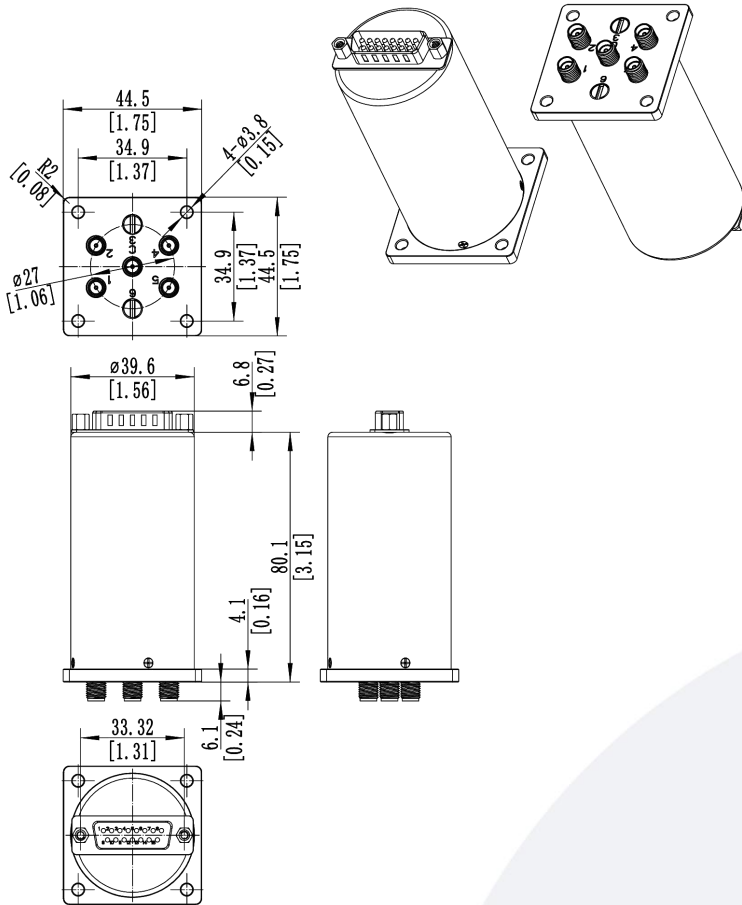
射频特性 RF Specifications:

频率范围 FREQUENCY RANGE(GHz)	DC-6	6-12	12-18
插入损耗 INSERTION LOSS (MAX) dB	0.3	0.4	0.5
隔离度 ISOLATION (MIN) dB	70	60	60
电压驻波比 V.S.W.R. (MAX)	1.3:1	1.4:1	1.5:1

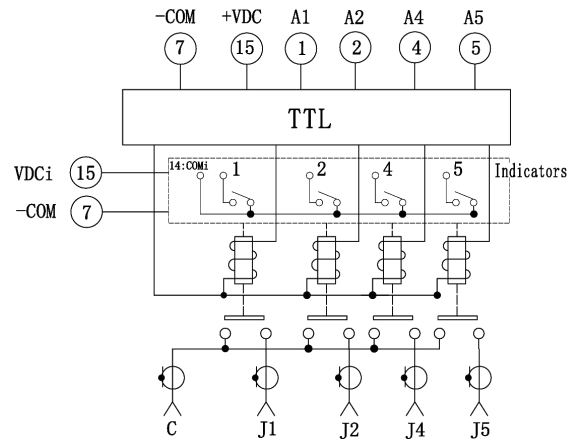
环境和物理特性 Environmental And Physical Characteristics:

参数Parameter	条件 Condition
工作温度范围 Operating temperature range	-25°C to +65°C(Standard) -55°C to +85°C(Optional)
振动 Sine vibration(Operating)	20-2000Hz, 10g
冲击 Shocks(Non Operating)	50g / 11ms, ½ sine
射频接口 RF Connector type	SMA Female
控制接口 Control connector	D-SUB 15Pin male
重量 Weight	190g Max

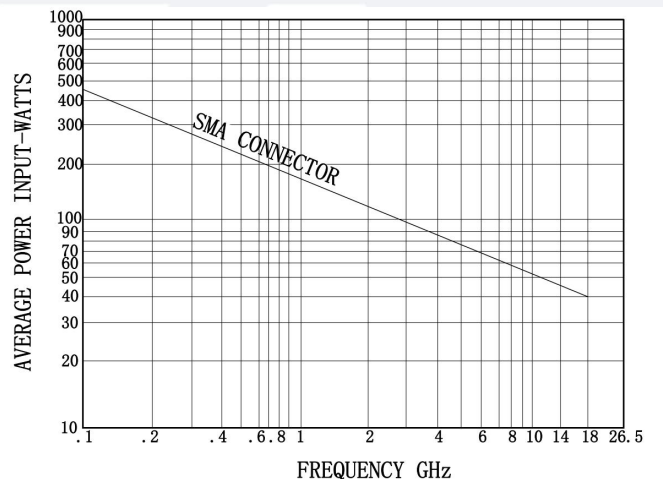
外形尺寸 Outline Drawing: Unit: mm



原理图 Schematic:



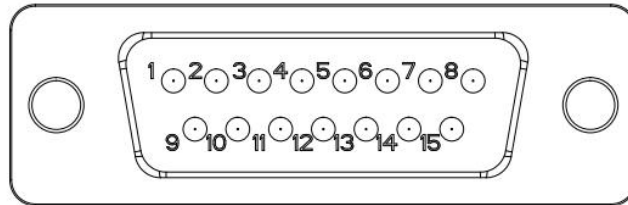
功率曲线图 Average power:



This graph is based on the following conditions:

- Ambient temperature: + 25 °C
- Sea level
- V.S.W.R.: 1 and cold switching

引脚定义 Pin Definition:



15 PIN D-SUB		RF Connect Used
Pin NO.	Function	SP4T
1	A1(TTL IN)	1
2	A2(TTL IN)	2
3	UNUSED	
4	A4(TTL IN)	4
5	A5(TTL IN)	5
6	UNUSED	
7	-COM	
8	1(IND.)	J1-C
9	2(IND.)	J2-C
10	UNUSED	
11	4(IND.)	J4-C
12	5(IND.)	J5-C
13	UNUSED	
14	COMi(IND)(V+)	
15	+VDC/VDCi	

标准型号 Part Number:

标准型号 Part Number	额定电压 Rated Voltage	可选项 Option
1P4T		
R14-SN12T18-DI	12VDC	-S
R14-SN24T18-DI	24VDC	例如:R14-SN12T18-DIS
R14-SN28T18-DI	28VDC	(备注, S型号满足IP65)