

## SP3T Coaxial Switches

R13-KN12040-D, Coaxial Switches, 1P3T, 2.92mm, Normally open, 12VDC, DC to 40 GHz, DSUB-15

R13-KN24040-D, Coaxial Switches, 1P3T, 2.92mm, Normally open, 24VDC, DC to 40 GHz, DSUB-15

R13-KN28040-D, Coaxial Switches, 1P3T, 2.92mm, Normally open, 28VDC, DC to 40 GHz, DSUB-15

### 电气参数 Electrical Characteristics:

参数Parameter	条件Condition
频率范围 Frequency range	DC-40GHz
阻抗 Impedance	50 Ω
开关模式 Operation mode	Normally open
开关顺序 Switch sequence	Break before make
切换时间 Switching time	15 ms max
机械寿命 Mechanical life	1 million min
额定电压 Rated voltage	12      24      28 VDC
工作电流 Operating current at 23 °C	290    150    140 mA



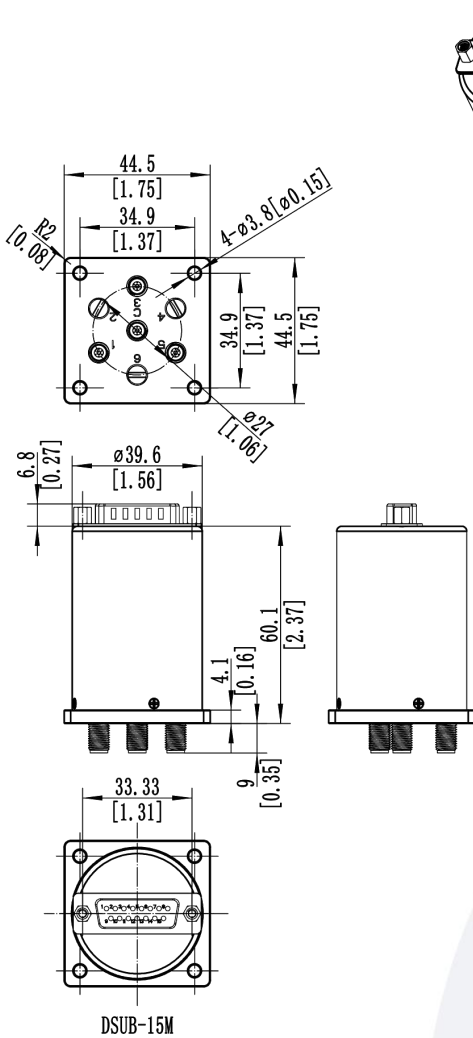
### 射频特性 RF Specifications:

频率范围 FREQUENCY RANGE(GHz)	DC-6	6-12	12-18	18-26.5	26.5-40
插入损耗 INSERTION LOSS (MAX) dB	0.3	0.4	0.5	0.8	1
隔离度 ISOLATION (MIN) dB	70	60	60	50	50
电压驻波比 V.S.W.R. (MAX)	1.3:1	1.4:1	1.5:1	1.9:1	2:1

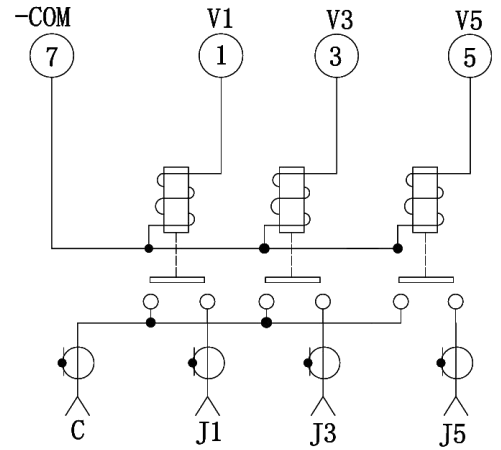
### 环境和物理特性 Environmental And Physical Characteristics:

参数Parameter	条件 Condition
工作温度范围 Operating temperature range	-25°C to +65°C(Standard ) -55°C to +85°C(Optional)
振动 Sine vibration(Operating)	20-2000Hz, 10g
冲击 Shocks(Non Operating)	50g / 11ms, ½ sine
射频接口 RF Connector type	2.92mm Female
控制接口 Control connector	D-SUB 15Pin male
重量 Weight	190g Max

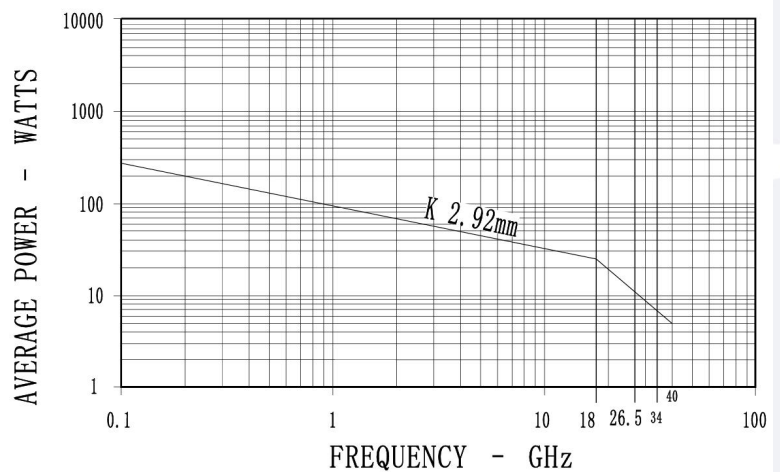
外形尺寸 Outline Drawing: Unit: mm



原理图 Schematic:



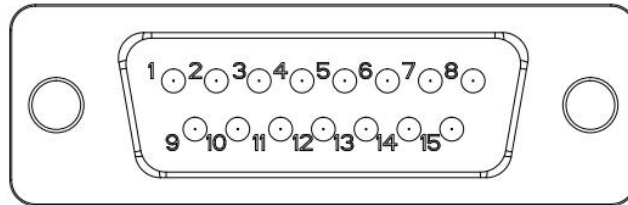
功率曲线图 Average power:



This graph is based on the following conditions:

- Ambient temperature: + 25 °C
- Sea level
- V.S.W.R.: 1 and cold switching

### 针脚定义 Pin Definition:



15 PIN D-SUB		RF Connect Used
Pin NO.	Function	SP3T
1	V1	1
2	UNUSED	
3	V3	3
4	UNUSED	
5	V5	5
6	UNUSED	
7	-COM	
8-15	UNUSED	

### 标准型号 Part Number:

标准型号 Part Number	额定电压 Rated Voltage	可选项 Option
1P3T		
R13-KN12040-D	12VDC	-S
R13-KN24040-D	24VDC	例如:R13-KN12040-DS
R13-KN28040-D	28VDC	(备注, S型号满足IP65)