

**Model: TMLA-075110-4240-10**
**Low Noise Amplifier**  
**75-110GHz, NF:4.0 dB, Gain:42 dB**
**Feature:**

- Ultra Wide Band: 75-110 GHz
- Gain: 42dB Typ
- Noise Figure:4.0dB Typ
- Unconditional stability

**Electrical Specifications:**

Parameter	Min	Typ	Max	Units
Frequency range	75		110	GHz
Gain		42		dB
Noise Figure		4.0		dB
Output P1dB		0		dBm
Input VSWR		2.5		:1
Output VSWR		2.2		:1
DC Voltage		+12		V DC
DC power supply		80		mA

**Mechanical Specifications:**

Parameter	Value	Units
Input Connector	WR-10/ UG-387/U	
Output Connector	WR-10/ UG-387/U	
Power Supply Pin	Solder Pin	
Size	39*30*23	mm

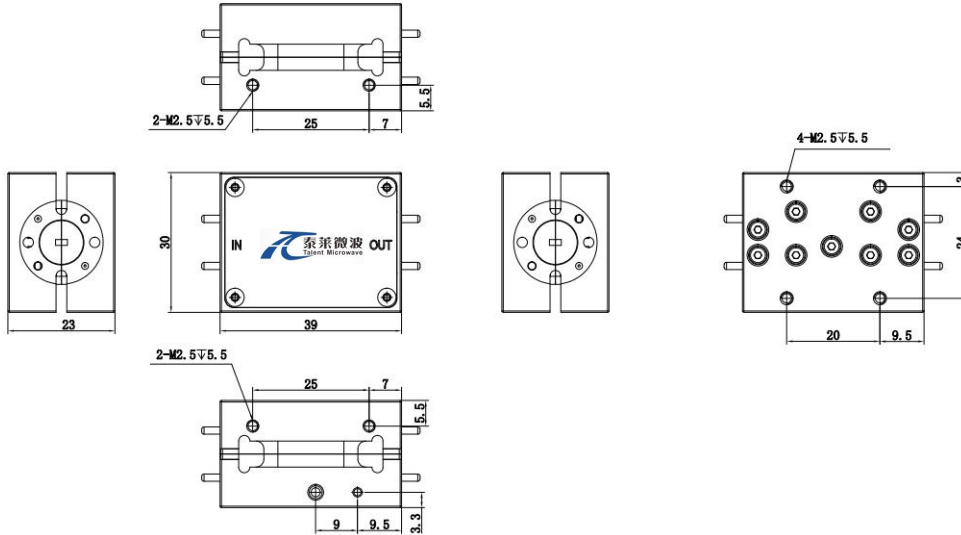
**Absolute Maximum Ratings:**

Parameter	Value
Supply Bias Voltage	+13 V
RF Input Power	0dBm
ESD sensitivity (HBM)	Class 0, passed 150V


**Available 220V System  
 Benchtop Amplifier**

**Outline Drawing:**

Unit: mm



OBSERVE PRECAUTIONS  
ELECTROSTATIC SENSITIVE  
DEVICES

**Environmental Conditions:**

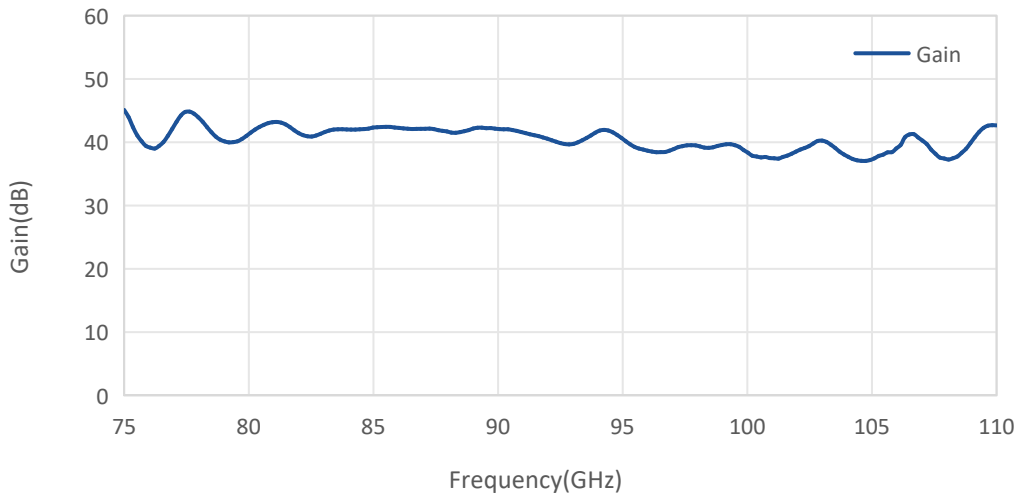
Parameter	Min	Typ	Max	Units
Operating Temperature	-10		+65	°C
Non-operating Temperature	-25		+75	°C
Relative humidity		95		%
Altitude		50,000		feet
Shock / Vibration(MIL-STD-810F)	25g rms (15 degree 2KHz) endurance, 1 hour per axis			
Shock(non operating)	20G for 11msc half sin wave,3 axis both directions			

**Ordering Information:**

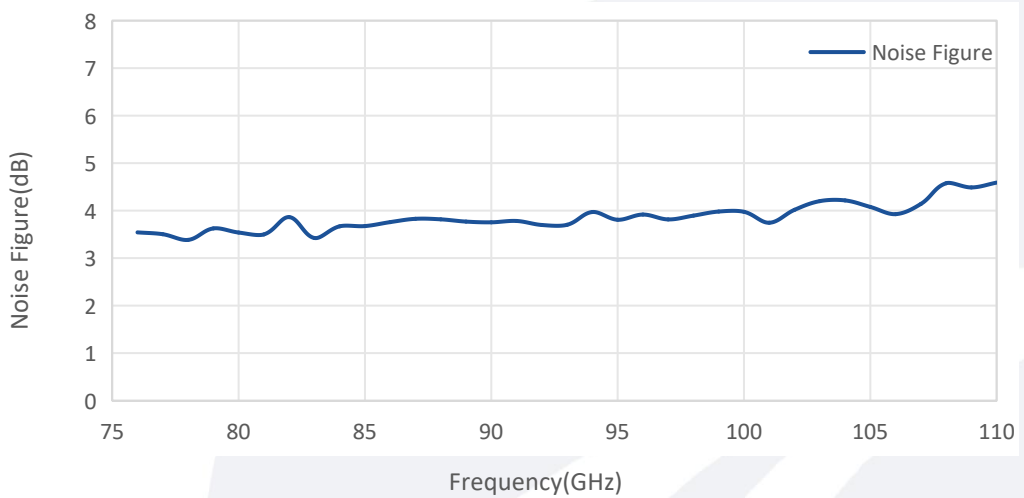
Part Number	Description	Revision
TMLA-075110-4240-10	Low Noise Amplifier,75-110GHz, Noise Figure:4.0dB, Gain:42dB,+12V DC,WR-10	Rev.1.1

Typical Performance Data:

Gain vs Frequency



Noise Figure vs Frequency



VSWR vs Frequency

