

**Part No.: TC-10500-20-2.4**

**20dB Directional Coupler 2.4 Female 50Ω 1-50 GHz**

**电气特性 Electrical:**

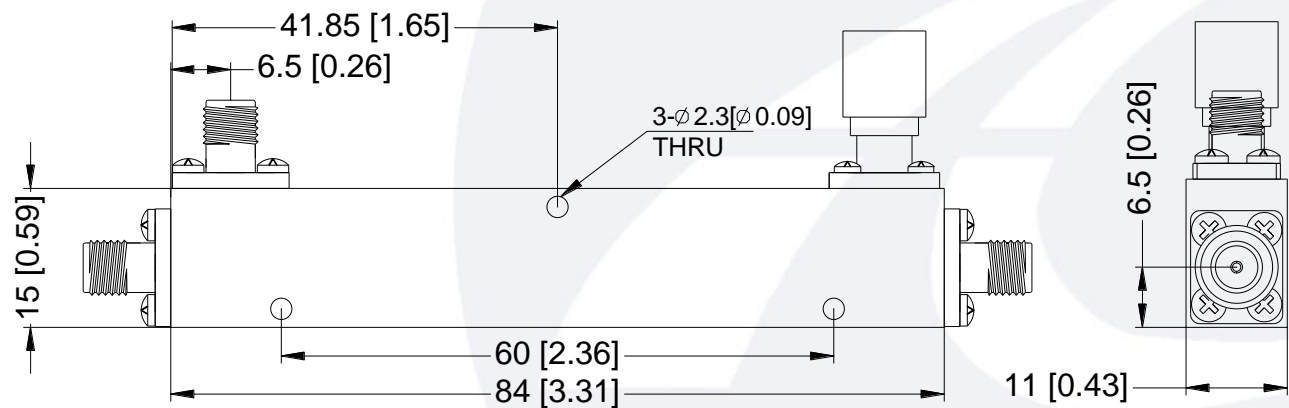
工作频率 Frequency Range: 1-50 GHz  
 耦合度 Coupling:: 20± 2 db  
 插入损耗 Insertion Loss: 2.0db typ, 2.5db max  
 方向性 Directivity: : 10db typ, 8db min  
 驻波 VSWR: 1.7 max  
 耐功率 Power Handling: 20 Watt  
 阻抗 Impedance: 50 OHMS

**机械特性 Mechanical:**

温度范围 Temperature Range: -45° C - +85° C  
 接口 Connectors: 2.4-Female  
 相对湿度 Relative Humidity: 0 ~ 90%

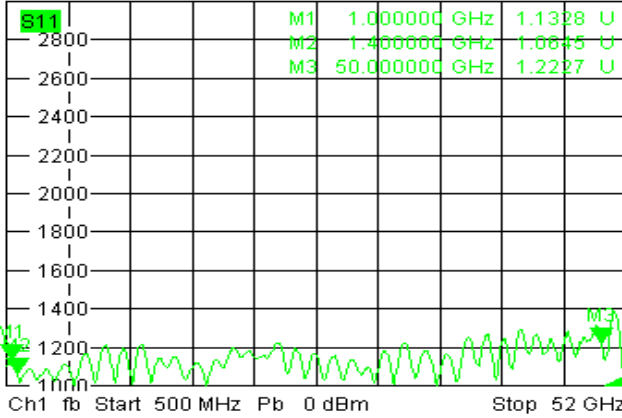
**外形尺寸 Outline Drawing:**

Unit: mm

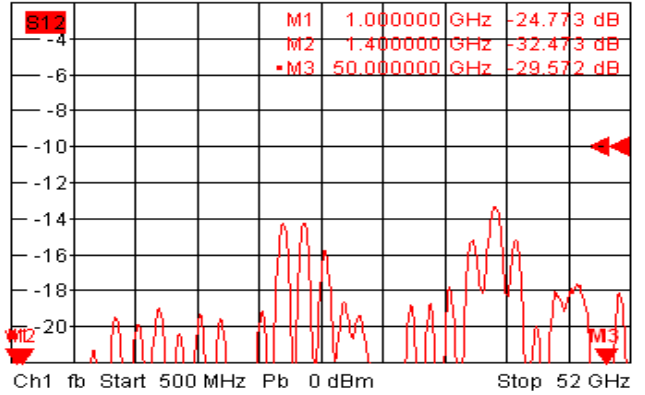




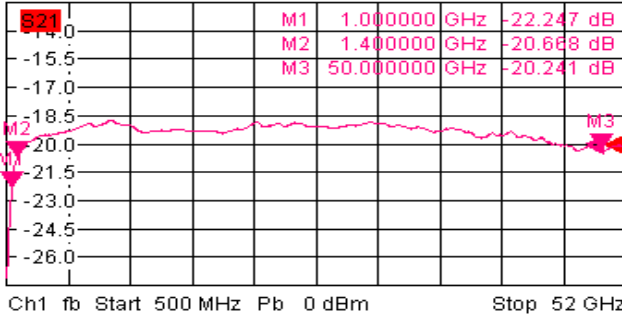
Trc1 **S11** SWR 200 mU/ Ref1 U Cal 1



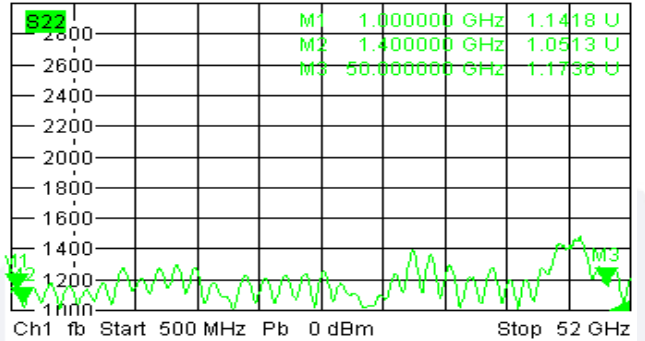
Trc2 **S12** dB Mag 2 dB / Ref-10 dB Cal Math 2  
Mem5[Trc2] **S12** dB Mag 2 dB / Ref-10 dB Invisible



Trc3 **S21** dB Mag 1.5 dB / Ref-20 dB Invisible 3  
Mem6[Trc3] **S21** dB Mag 1.5 dB / Ref-20 dB



Trc4 **S22** SWR 200 mU/ Ref1 U Cal 4



Trc3 **S21** dB Mag 1 dB / Ref 0 dB Cal 3 (Max)

