

Model: TLLA33G35G-36-40-WR28-L
Low Noise Amplifier
33-35GHz, NF:2.0dB, Gain:36dB, P1dB:13dBm
Feature:

- Ultra Wide Band: 33-35GHz
- Gain: 36dB Typ
- Noise Figure: 2.0dB Typ
- Good Power and Gain Flatness
- 50 Ohm Matched Input / Output

Electrical Specifications:

Parameter	Min	Typ	Max	Units
Frequency range	33-35			GHz
Gain		36		dB
Gain Flatness	±0.5@Band=1GHz			dB
Noise Figure		2		dB
Output P1dB	12	13		dBm
Output Psat		14		dBm
Input VSWR		2		:1
Output VSWR		2		:1
DC Voltage		5	8	V DC
DC Supply Current		85		mA
Impedance	50			Ohms

Mechanical Specifications:

Parameter	Value	Units
Input /Output Connector	WR-28 UG-599U/2.92mm Female	
DC Bias	Solder Pin	
Size	30*30*19	mm
Weight	/	g

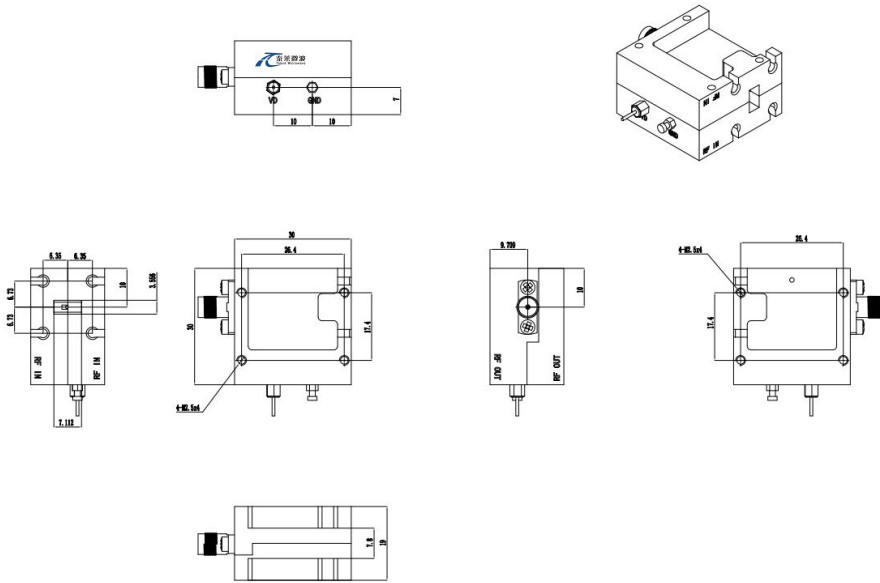
Absolute Maximum Ratings:

Parameter	Value
Supply Bias Voltage	TBD
RF Input Power	20 dBm
ESD sensitivity (HBm)	Class 0, passed 150V


**Available 220V System
 Benchtop Amplifier**

Outline Drawing:

Unit: mm



*****Heat Sink Required During Operation**



OBSERVE PRECAUTIONS
ELECTROSTATIC SENSITIVE
DEVICES

Environmental Conditions:

Parameter	Min	Typ	Max	Units
Operating Temperature	-45		+85	°C
Non-operating Temperature	-55		+125	°C
Relative humidity		95		%
Altitude	50,000			feet
Shock / Vibration(MIL-STD-810F)	25g rms (15 degree 2KHz) endurance, 1 hour per axis			
Shock(non operating)	20G for 11msc half sin wave,3 axis both directions			

Ordering Information:

Part Number	Description	Revision
TLLA33G35G-36-40-WR28-L	Low Noise Amplifier, 33-35GHz, Noise Figure:2.0dB, Gain:36 dB,P1dB:13dBm,+5V DC	Rev.1.1