

Model:TMPM-330340-0410-2.8
**Passive Frequency Tripler
 X4,330-340 GHz,10 dBm Output Power**
Feature:

- Output Frequency:330-340 GHz
- Output Power :10dBm Min
- Low power consumption

Electrical Specifications:

Parameter	Min	Typ	Max	Units
Output Frequency	330		340	GHz
Input Frequency	82.5		85	GHz
Output Power	10			dBm
Input Power		28		dBm
Multiply Factor		4		
External Bias Voltage		-16&-9		V

Mechanical Specifications:

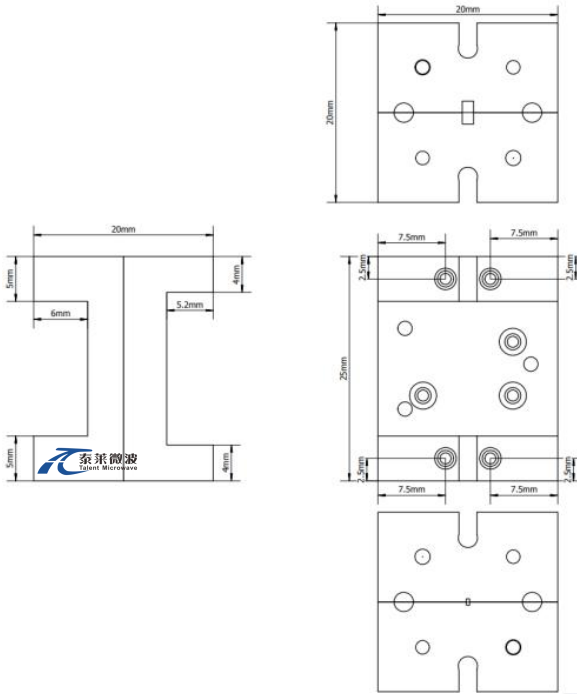
Parameter	Value	Units
Output Connector	WR-2.8/UG-387/U	
Input Connector	WR-12/UG-387/U	
Size	20*20*25	mm

Absolute Maximum Ratings:

Parameter	Value
Supply Bias Voltage	TBD
ESD sensitivity (HBm)	Class 0, passed 150V

Outline Drawing:

Unit: mm



OBSERVE PRECAUTIONS
ELECTROSTATIC SENSITIVE
DEVICES

Environmental Conditions:

Parameter	Min	Typ	Max	Units
Operating Temperature	0		+50	°C
Non-operating Temperature	-25		+65	°C
Relative humidity		95		%
Altitude		50,000		feet
Shock / Vibration(MIL-STD-810F)	25g rms (15 degree 2KHz) endurance, 1 hour per axis			
Shock(non operating)	20G for 11msc half sin wave,3 axis both directions			

Ordering Information:

Part Number	Description	Revision
TMPM-330340-0410-2.8	Passive Frequency Tripler X4, 330-340GHz, 10dBm Output Power, WR-2.8	Rev.1.1