

Model:TPM-170260-0311-4.3
**Passive Frequency Tripler
 X3,170-260 GHz,11 dBm Output Power**
Feature:

- Output Frequency:170-260 GHz
- Output Power :11dBm Typ
- Low power consumption

Electrical Specifications:

Parameter	Min	Typ	Max	Units
Output Frequency	170		260	GHz
Input Frequency	56.67		86.67	GHz
Output Power		11		dBm
Input Power		24	26	dBm
Multiply Factor		3		

Mechanical Specifications:

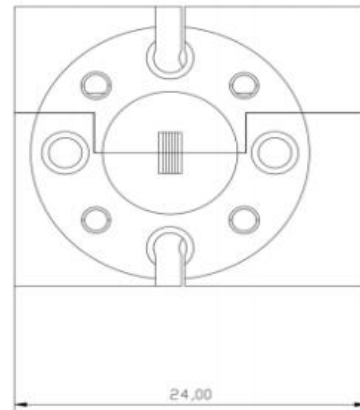
Parameter	Value	Units
Output Connector	WR-4.3/UG-387/U	
Input Connector	WR-12/UG-387/U	
Size	14*19*19	mm

Absolute Maximum Ratings:

Parameter	Value
RF Input Power	26dBm
ESD sensitivity (HBm)	Class 0, passed 150V

Outline Drawing:

Unit: mm



OBSERVE PRECAUTIONS
ELECTROSTATIC SENSITIVE
DEVICES

Environmental Conditions:

Parameter	Min	Typ	Max	Units
Operating Temperature	0		+50	°C
Non-operating Temperature	-25		+65	°C
Relative humidity		95		%
Altitude	50,000			feet
Shock / Vibration(MIL-STD-810F)	25g rms (15 degree 2KHz) endurance, 1 hour per axis			
Shock(non operating)	20G for 11msc half sin wave,3 axis both directions			

Ordering Information:

Part Number	Description	Revision
TMPM-170260-0311-4.3	Passive Frequency Tripler X3,170-260GHz, 11dBm Output Power,WR-4.3	Rev.1.1