

Model:TMPM-140220-0310-5.1
**Passive Frequency Tripler
 X3,140-220 GHz,10 dBm Output Power**
Feature:

- Output Frequency:140-220 GHz
- Output Power :10dBm Typ
- Low power consumption

Electrical Specifications:

Parameter	Min	Typ	Max	Units
Output Frequency	140		220	GHz
Input Frequency	46.66		73.34	GHz
Output Power		10		dBm
Input Power	17		24	dBm
Multiply Factor		3		
Conversion Efficiency		4		%

Mechanical Specifications:

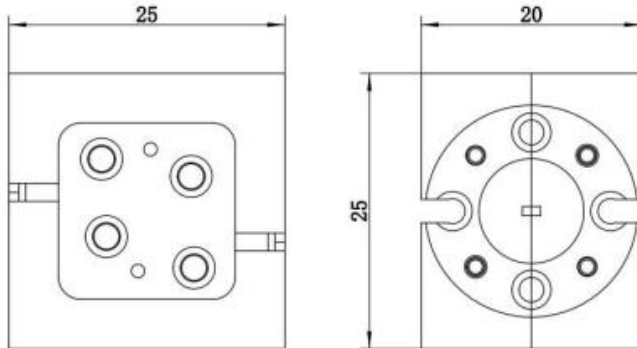
Parameter	Value	Units
Output Connector	WR-5.1/UG-387/U	
Input Connector	WR-15/UG-385/U	
Size	/	mm

Absolute Maximum Ratings:

Parameter	Value
RF Input Power	24dBm
ESD sensitivity (HBm)	Class 0, passed 150V

Outline Drawing:

Unit: mm



OBSERVE PRECAUTIONS
ELECTROSTATIC SENSITIVE
DEVICES

Environmental Conditions:

Parameter	Min	Typ	Max	Units
Operating Temperature	0		+50	°C
Non-operating Temperature	-25		+65	°C
Relative humidity		95		%
Altitude	50,000			feet
Shock / Vibration(MIL-STD-810F)	25g rms (15 degree 2KHz) endurance, 1 hour per axis			
Shock(non operating)	20G for 11msc half sin wave,3 axis both directions			

Ordering Information:

Part Number	Description	Revision
TMPM-140220-0310-5.1	Passive Frequency Tripler X3,140-220GHz, 10dBm Output Power,WR-5.1	Rev.1.1

Typical Performance Data:

Output Power vs Frequency

Test Data(25C), Pin=200mW

