

Model:TMPM-620660-02N3-1.5
**G-Band Passive Frequency Doubler
 X2, 620-660 GHz ,-3 dBm Output Power,**
Feature:

- Output Frequency: 620-660 GHz
- Output Power:-3 dBm Typ
- Compactness, HighPower & Efficiency

Electrical Specifications:

Parameter	Min.	Typ.	Max.	Units
Output Frequency	620		660	GHz
Output Power		-3		dBm
Input Frequency	310		330	GHz
Input Power		16		dBm
Multiply Factor		2		

Mechanical Specifications:

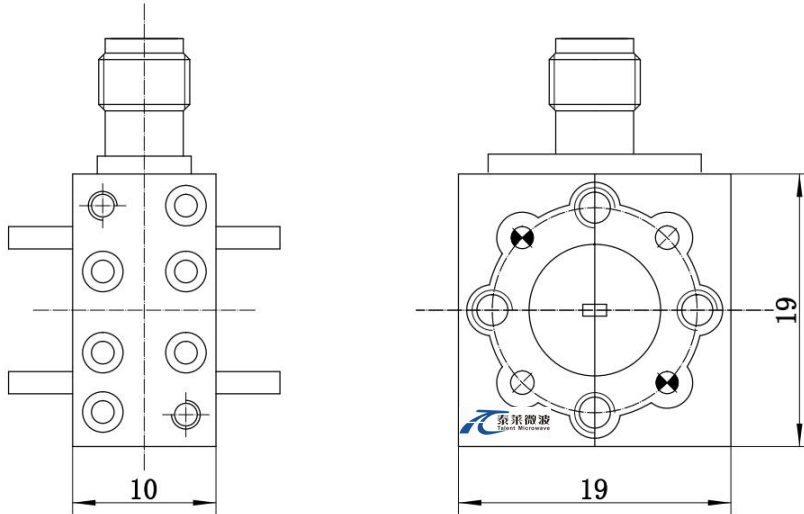
Parameter	Value	Units
Output Connector	WR-1.5/UG-387	
Input Connector	WR-2.8/UG-387	
Size	19*19*10	mm

Absolute Maximum Ratings:

Parameter	Value
RF Input Power	18 dBm
ESD sensitivity (HBM)	Class 0, passed 150V

Outline Drawing:

Unit: mm



OBSERVE PRECAUTIONS
ELECTROSTATIC SENSITIVE
DEVICES

Environmental Conditions:

Parameter	Min.	Typ.	Max.	Units
Operating Temperature	0		+50	°C
Non-operating Temperature	-25		+65	°C
Relative humidity		95		%
Altitude	50,000			feet
Shock / Vibration(MIL-STD-810F)	25g rms (15 degree 2KHz) endurance, 1 hour per axis			
Shock(non operating)	20G for 11msc half sin wave,3 axis both directions			

Ordering Information:

Part Number	Description	Revision
TMPM-620660-02N3-1.5	Passive Frequency Doubler X2, 620-660 GHz ,-3 dBm Output Power,WR-1.5	Rev.1.1

Typical Performance Data:

Pin&Efficiency&Pout vs Frequency

