

**Model: TLLA26.5G40G-30-30**
**Low Noise Amplifier**
**26.5-40GHz, NF:2.5dB, Gain:30dB, P1dB:0dBm**
**Feature:**

- Ultra Wide Band: 26.5-40GHz
- Gain: 30dB Min
- Noise Figure: 2.5dB Typ
- Good Power and Gain Flatness
- 50 Ohm Matched Input / Output

**Electrical Specifications:**

Parameter	Min	Typ	Max	Units
Frequency range	26.5-40			GHz
Gain	30			dB
Gain Flatness		±1.5	±2	dB
Noise Figure		2.5	3	dB
Output P1dB	0			dBm
Output IP3		10		dBm
Input VSWR		2		:1
Output VSWR		2		:1
DC Voltage		12		V DC
DC Supply Current		60		mA
Impedance	50			Ohms

**Mechanical Specifications:**

Parameter	Value	Units
Input /Output Connector	2.92mm Female/2.92mm Female	
DC Bias	Solder Pin	
Size	20*30*8	mm
Weight	50	g

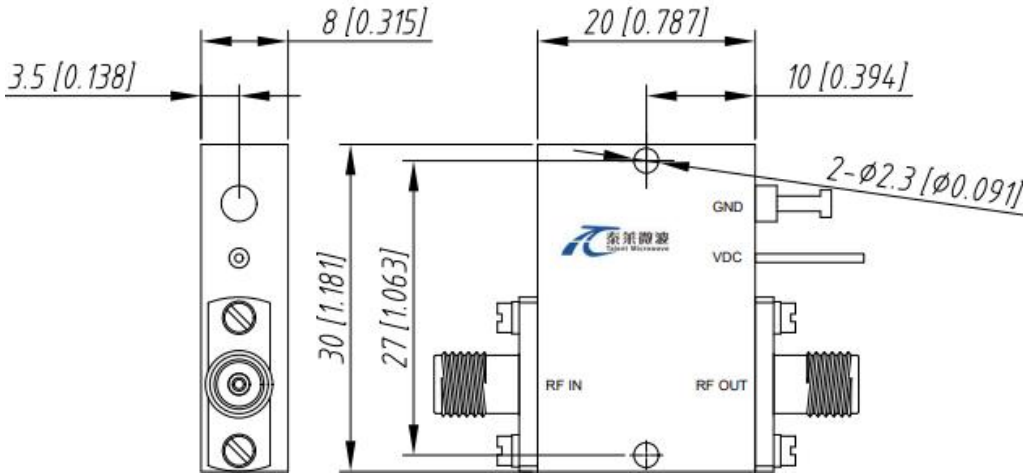
**Absolute Maximum Ratings:**

Parameter	Value
Supply Bias Voltage	+15 V
RF Input Power	-25 dBm
ESD sensitivity (HBm)	Class 0, passed 150V


**Available 220V System  
Benchtop Amplifier**

**Outline Drawing:**

Unit: mm(inches)



**\*\*\*Heat Sink Required During Operation**



OBSERVE PRECAUTIONS  
ELECTROSTATIC SENSITIVE  
DEVICES

**Environmental Conditions:**

Parameter	Min	Typ	Max	Units
Operating Temperature	-45		+85	°C
Non-operating Temperature	-55		+125	°C
Relative humidity		95		%
Altitude	50,000			feet
Shock / Vibration(MIL-STD-810F)	25g rms (15 degree 2KHz) endurance, 1 hour per axis			
Shock(non operating)	20G for 11msc half sin wave,3 axis both directions			

**Ordering Information:**

Part Number	Description	Revision
TLLA26.5G40G-30-30	Low Noise Amplifier, 26.5-40GHz, Noise Figure:2.5dB, Gain:30 dB,P1dB:0dBm,+12V DC,Without Heatsink	Rev.1.1
TLLA26.5G40G-30-30-HS	Low Noise Amplifier, 26.5-40GHz, Noise Figure:2.5dB, Gain:30 dB,P1dB:0dBm,+12V DC,With Heatsink	Rev.1.1