

Model: TLLA6G18G-41-40
Low Noise Amplifier
6-18GHz, NF:4.0dB, Gain:41dB, P1dB:28dBm
Feature:

- Ultra Wide Band: 6-18GHz
- Gain: 41dB Min
- Noise Figure: 4.0dB Max
- Good Power and Gain Flatness
- 50 Ohm Matched Input / Output

Electrical Specifications:

Parameter	Min	Typ	Max	Units
Frequency range	6-18			GHz
Gain	41	43		dB
Gain Flatness		±1.5	±2.0	dB
Noise Figure		3	4	dB
Output P1dB	26	28		dBm
Output Psat		29		dBm
Input VSWR		1.6		:1
Output VSWR		1.8		:1
DC Voltage		15		V DC
DC Supply Current		520		mA
Impedance	50			Ohms

Mechanical Specifications:

Parameter	Value	Units
Input /Output Connector	SMA Female/SMA Female	
DC Bias	Solder Pin	
Size	44*52*13	mm
Weight	/	g

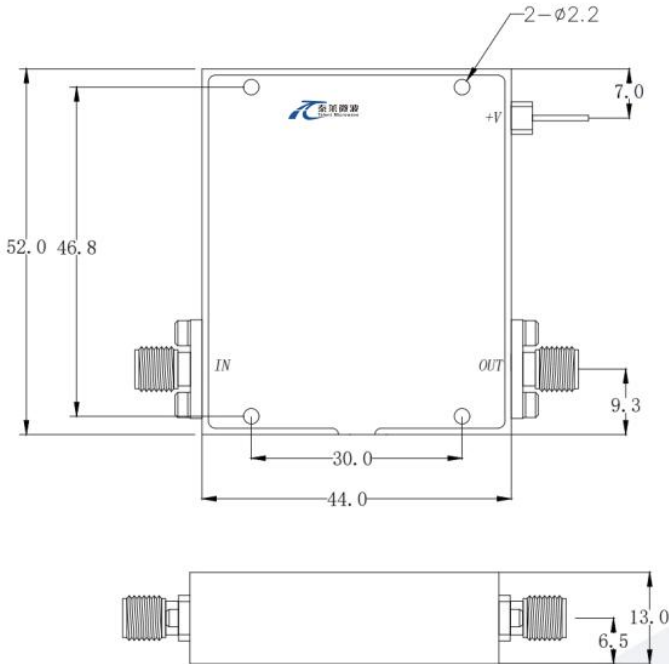
Absolute Maximum Ratings:

Parameter	Value
Supply Bias Voltage	+15 V
RF Input Power	5 dBm
ESD sensitivity (HBm)	Class 0, passed 150V


**Available 220V System
Benchtop Amplifier**

Outline Drawing:

Unit: mm(inches)



*****Heat Sink Required During Operation**



OBSERVE PRECAUTIONS
ELECTROSTATIC SENSITIVE
DEVICES

Environmental Conditions:

Parameter	Min	Typ	Max	Units
Operating Temperature	-40		+60	°C
Non-operating Temperature	-55		+125	°C
Relative humidity		95		%
Altitude	50,000			feet
Shock / Vibration(MIL-STD-810F)	25g rms (15 degree 2KHz) endurance, 1 hour per axis			
Shock(non operating)	20G for 11msc half sin wave,3 axis both directions			

Ordering Information:

Part Number	Description	Revision
TLLA6G18G-41-40	Low Noise Amplifier, 6-18GHz, Noise Figure:4.0dB, Gain:41 dB,P1dB:28dBm,+15V DC,Without Heatsink	Rev.1.1
TLLA6G18G-41-40-HS	Low Noise Amplifier, 6-18GHz, Noise Figure:4.0dB, Gain:41 dB,P1dB:28dBm,+15V DC,With Heatsink	Rev.1.1