

**Model: TLLA2G8G-32-11**
**Low Noise Amplifier**
**2-8GHz, NF:0.8dB, Gain:35dB, P1dB:15dBm**
**Feature:**

- Ultra Wide Band:2-8GHz
- Gain: 35dB Typ
- Noise Figure: 0.8dB Typ
- Good Power and Gain Flatness
- 50 Ohm Matched Input / Output

**Electrical Specifications:**

Parameter	Min	Typ	Max	Units
Frequency range	2-8			GHz
Gain	32	35		dB
Gain Flatness		±0.5	±1.3	dB
Noise Figure		0.8	1.1	dB
Output P1dB	13	15		dBm
Output Psat		16		dBm
Output IP3		25		dBm
Input VSWR		1.6	2	:1
Output VSWR		1.6	2	:1
DC Voltage		12		V DC
DC Supply Current		100	130	mA
Impedance	50			Ohms

**Mechanical Specifications:**

Parameter	Value	Units
Input /Output Connector	SMA Female/SMA Female	
DC Bias	Solder Pin	
Size	21.8*17*8	mm
Weight	55	g

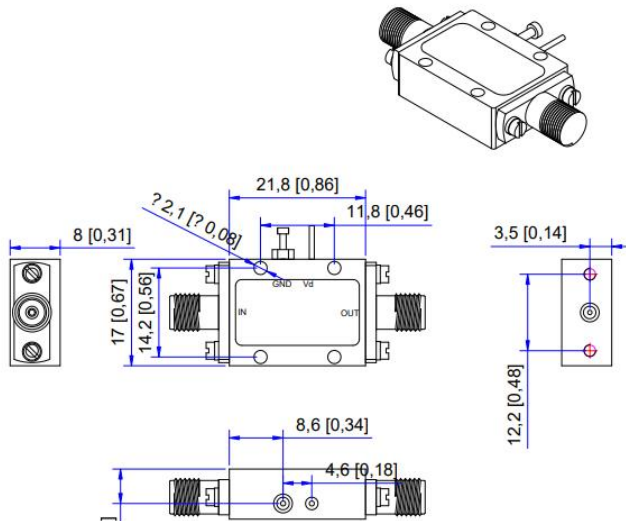
**Absolute Maximum Ratings:**

Parameter	Value
Supply Bias Voltage	+14V
RF Input Power	-5 dBm
ESD sensitivity (HBM)	Class 0, passed 150V


**Available 220V System  
 Benchtop Amplifier**

**Outline Drawing:**

Unit: mm(inches)



**\*\*\*Heat Sink Required During Operation**



OBSERVE PRECAUTIONS  
ELECTROSTATIC SENSITIVE  
DEVICES

**Environmental Conditions:**

Parameter	Min	Typ	Max	Units
Operating Temperature	-45		+85	°C
Non-operating Temperature	-55		+125	°C
Relative humidity		95		%
Altitude	50,000			feet
Shock / Vibration(MIL-STD-810F)	25g rms (15 degree 2KHz) endurance, 1 hour per axis			
Shock(non operating)	20G for 11msc half sin wave,3 axis both directions			

**Ordering Information:**

Part Number	Description	Revision
TLLA2G8G-32-11	Low Noise Amplifier, 2-8GHz, Noise Figure:0.8dB, Gain:35 dB,P1dB:15dBm,+12V DC,Without Heatsink	Rev.1.1
TLLA2G8G-32-11-HS	Low Noise Amplifier, 2-8GHz, Noise Figure:0.8dB, Gain:35 dB,P1dB:15dBm,+12V DC,With Heatsink	Rev.1.1