

**Model: TLVP1G2G-360-15**
**Voltage Controlled Phase Shifter  
1-2GHz**
**Feature:**

- Frequency Range: 1-2GHz
- High Phase Shift Accuracy
- High Phase Shift Range
- Single Positive Control Voltage

**Electrical:**

Parameter	Min.	Typ.	Max.	Units
Frequency range	1-2			GHz
Phase Shift Range	360	390		°
Insertion Loss		5.5	6.0	dB
Input VSWR		1.8		:1
Output VSWR		1.8		:1
Control Voltage Range	0		15	V
Control Current		10		uA
Phase Shift Sensitivity		28		deg/V
Phase Flatness			±15	°
Switching Time		300		ns
Input Power			15	dBm

**Mechanical :**

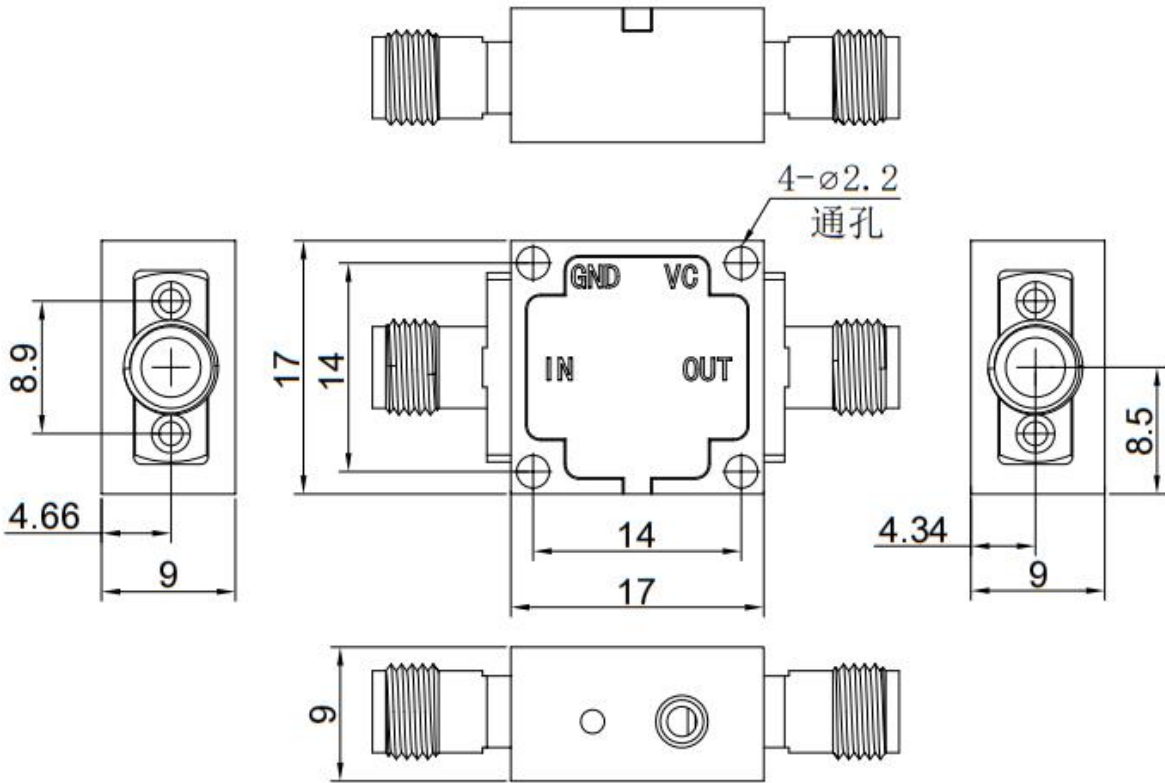
Parameter	Value	Units
Input /Output Connector	SMA Female	
Size	17*17*9	mm
Weight	20	g

**Absolute Maximum Ratings:**

Parameter	Value
Control Voltage Range	+15V
RF Input Power No damage	+40 dBm
ESD sensitivity (HBm)	Class 0, passed 150V

**Outline Drawing:**

Unit: mm(Inches)



Parameter	Min.	Typ.	Max.	Units
Operating Temperature	-55		+85	°C
Non-operating Temperature	-55		+155	°C
Relative humidity		95		%
Altitude	50,000			feet
Shock / Vibration(MIL-STD-810F)	25g rms (15 degree 2KHz) endurance, 1 hour per axis			
Shock(non operating)	20G for 11msc half sin wave,3 axis both directions			

**Ordering Information:**

Part Number	Description	Revision
TLVP1G2G-360-15	Voltage Controlled Phase Shifter ,1-2GHz,SMA	Rev.1.1