

Model: TMPA-210230-1117-03
Power Amplifier
210-230GHz, Gain:11 dB, Psat:17 dBm
Feature:

- Frequency Range: 210-230 GHz
- Gain:11 dB Type
- Output Power Psat:17 dBm Type
- Good Power and Gain Flatness

Electrical Specifications:

Parameter	Min	Typ	Max	Units
Frequency range	210-230			GHz
Gain		11		dB
Output Psat		17		dBm
Input VSWR		3		:1
Output VSWR		3		:1
DC Voltage		15		V DC
DC Supply Current		340		mA

Mechanical Specifications:

Parameter	Value	Units
Input /Output Connector	WR-03/UG-387/U	
DC Bias	Solder Pin	
Size	50*40*20	mm
Weight	/	g

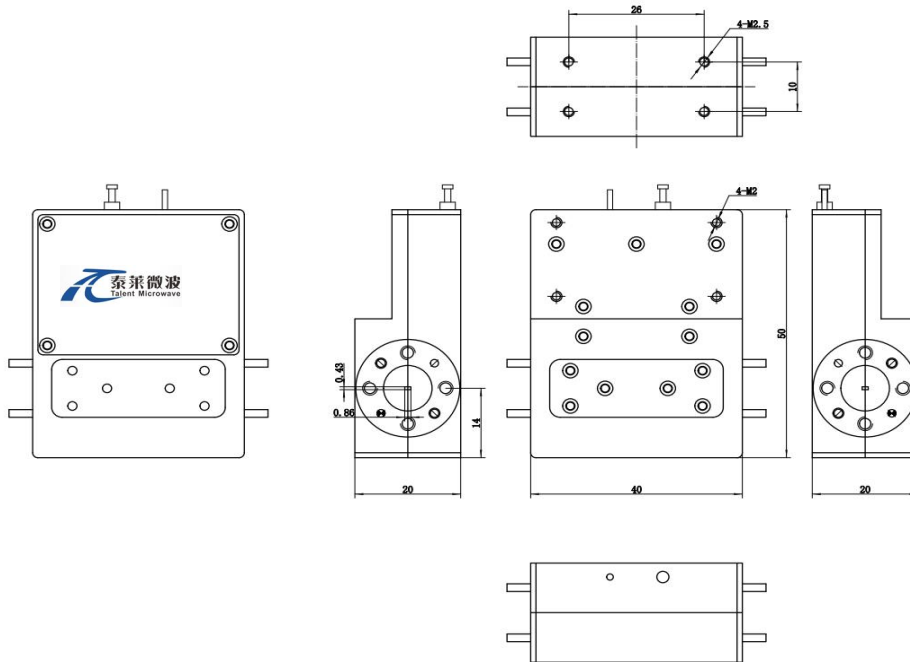
Absolute Maximum Ratings:

Parameter	Value
Supply Bias Voltage	+16 V
RF Input Power	15dBm
ESD sensitivity (HBm)	Class 0, passed 150V


**Available 220V System
 Benchtop Amplifier**

Outline Drawing:

Unit: mm(Inches)



OBSERVE PRECAUTIONS
ELECTROSTATIC SENSITIVE
DEVICES

Environmental Conditions:

Parameter	Min	Typ	Max	Units
Operating Temperature	0		+50	°C
Non-operating Temperature	-45		+125	°C
Relative humidity		95		%
Altitude		50,000		feet
Shock / Vibration(MIL-STD-810F)	25g rms (15 degree 2KHz) endurance, 1 hour per axis			
Shock(non operating)	20G for 11msc half sin wave,3 axis both directions			

Ordering Information:

Part Number	Description	Revision
TMPA-210230-1117-03	Power Amplifier, 210-230 GHz, Gain:11 dB Type, Psat:17 dBm Type, +15V DC,WR-03	Rev.1.1