

Model: TMPA-218222-2410-03
D-Band Power Amplifier
218-222GHz, Gain:24 dB, Psat:10 dBm
Feature:

- Frequency Range: 218-222 GHz
- Gain:24 dB Type
- Output Power Psat:10 dBm Type
- Good Power and Gain Flatness

Electrical Specifications:

Parameter	Min	Typ	Max	Units
Frequency range	218-222			GHz
Gain		24		dB
Gain Flatness		±1.5		dB
Output Psat		10		dBm
Input VSWR		2.2		:1
Output VSWR		3		:1
DC Voltage		12		V DC
DC Supply Current		200		mA

Mechanical Specifications:

Parameter	Value	Units
Input /Output Connector	WR-03/UG-387/U	
DC Bias	Solder Pin	
Case Material	Aluminum	
Finish	Gold Plated	
Size	50*40*20	mm
Weight	90	g

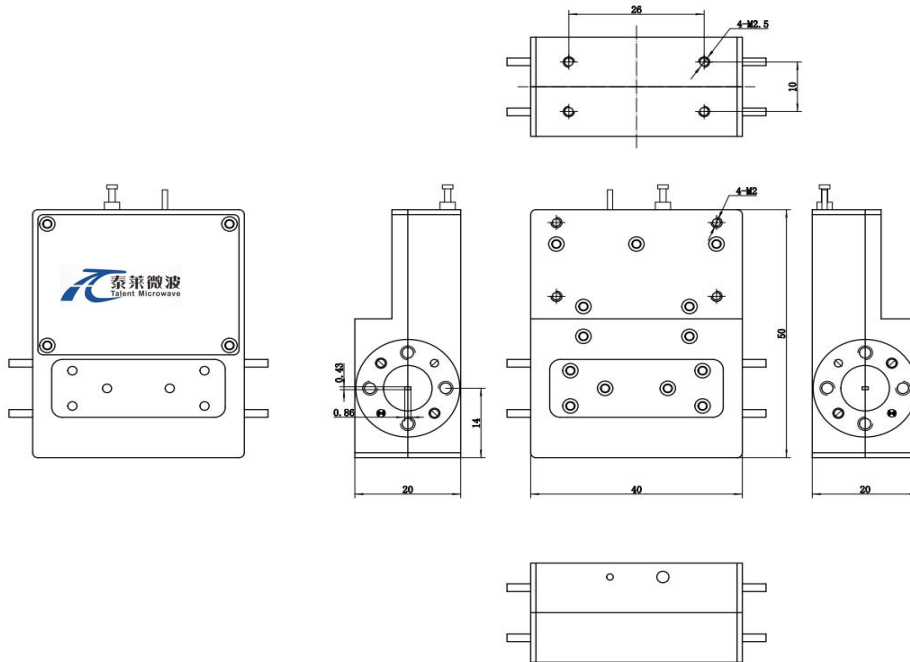
Absolute Maximum Ratings:

Parameter	Value
Supply Bias Voltage	+15V
RF Input Power	11 dBm
ESD sensitivity (HBm)	Class 0, passed 150V


 Available 220V System
 Benchtop Amplifier

Outline Drawing:

Unit: mm(Inches)



Environmental Conditions:



OBSERVE PRECAUTIONS
ELECTROSTATIC SENSITIVE
DEVICES

Parameter	Min	Typ	Max	Units
Operating Temperature	-45		+85	°C
Non-operating Temperature	-55		+125	°C
Relative humidity		95		%
Altitude		50,000		feet
Shock / Vibration(MIL-STD-810F)	25g rms (15 degree 2KHz) endurance, 1 hour per axis			
Shock(non operating)	20G for 11msc half sin wave,3 axis both directions			

Ordering Information:

Part Number	Description	Revision
TMPA-218222-2410-03	Power Amplifier, 218-222 GHz, Gain:24 dB Type, Psat:10 dBm Type, 12V DC,WR-03,Without Heatsink	Rev.1.1
TMPA-218222-2410-03-HS	Power Amplifier, 218-222 GHz, Gain:24 dB Type, Psat:10 dBm Type, 12V DC,WR-03,With Heatsink	Rev.1.1