

Model:TMPM-320350-0213-03
**Passive Frequency Tripler
 X2,320-350 GHz,13 dBm Output Power**
Feature:

- Output Frequency:320-350 GHz
- Output Power:13 dBm Typ
- Compactness,High Power&Efficiency

Electrical Specifications:

Parameter	Min	Typ	Max	Units
Output Frequency	320	340	350	GHz
Input Frequency	160	170	175	dBm
Output Power		13		dBm
Input Power		20	23	dBm
Multiply Factor		2		
Harmonic		-20		dBc
Bias Voltage	0	-8	-10	V

Mechanical Specifications:

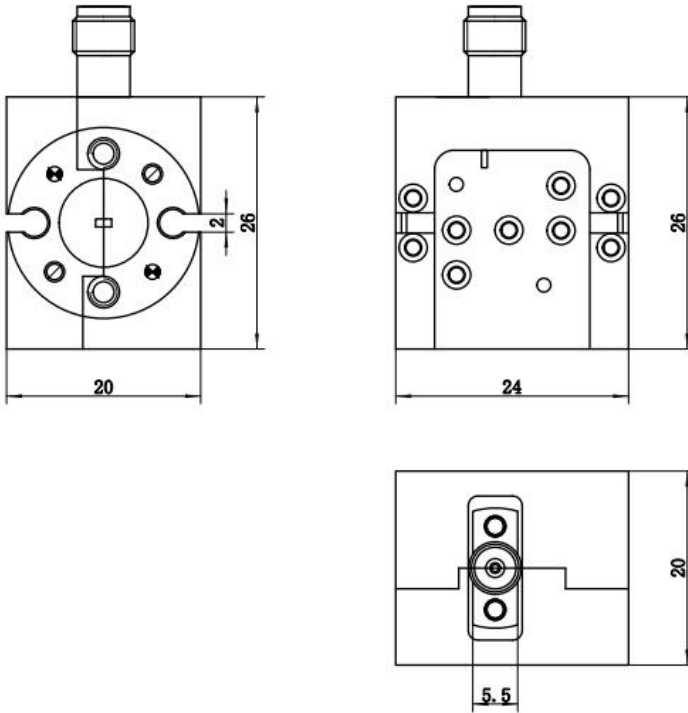
Parameter	Value	Units
Output Connector	WR-2.8/UG-387/U	
Input Connector	WR-5.1/UG-387/U	
Interface	SMA-K	
Size	20*26*20	mm

Absolute Maximum Ratings:

Parameter	Value
RF Input Power	23 dBm
ESD sensitivity (HBm)	Class 0, passed 150V

Outline Drawing:

Unit: mm



Environmental Conditions:

Parameter	Min	Typ	Max	Units
Operating Temperature	0		+50	°C
Non-operating Temperature	-25		+65	°C
Relative humidity		95		%
Altitude	50,000			feet
Shock / Vibration(MIL-STD-810F)	25g rms (15 degree 2KHz) endurance, 1 hour per axis			
Shock(non operating)	20G for 11msc half sin wave,3 axis both directions			

Ordering Information:

Part Number	Description	Revision
TMPM-320350-0213-03	Passive Frequency Tripler X2,320-350GHz, 13dBm Output Power,WR-2.8	Rev.1.1

Typical Performance Data:

Pout vs Frequency

Test: Pin=20dBm, 340GHz X2, Vbias=-8.5V

