

Model: TLBT-30K27G-50-KS
Broadband Bias Tee
2.92mm,30KHz-27GHz,50V
Feature:

- Ultra Wide Band: 30KHz-27GHz
- Low Insertion Loss
- High Voltage
- High Current Capacity

Electrical Specifications:

| Parameter | Min. | Typ. | Max. | Units |
|-----------------|----------|------|------|-------|
| Frequency range | 30KHz-27 | | | GHz |
| Insertion Loss | | | 2.2 | dB |
| Return Loss | | -12 | -10 | dB |
| Isolation | 40 | | | dB |
| DC Voltage | | | 50 | V DC |
| DC Current | | | 500 | mA |
| RF Power | | | 1 | W |

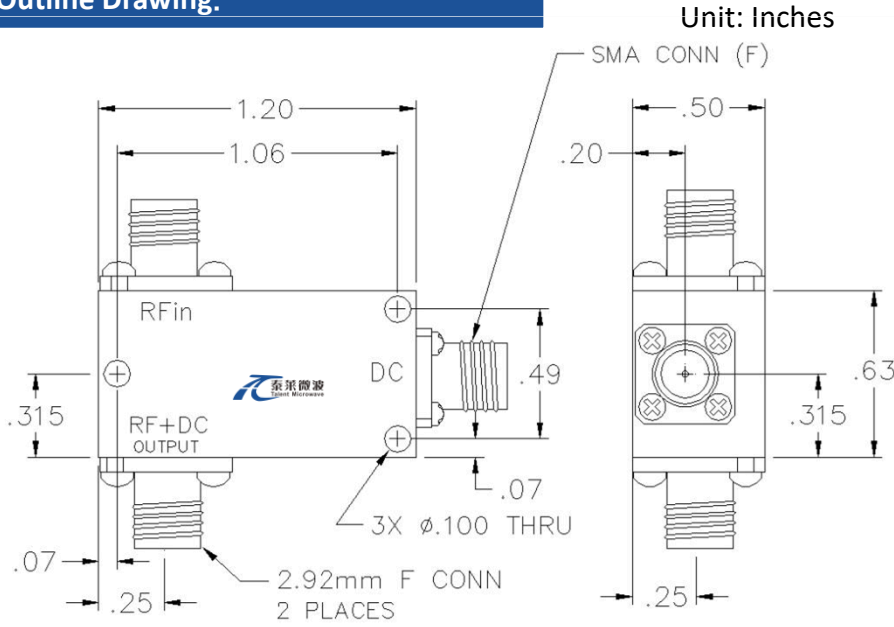
Mechanical Specifications:

| Parameter | Value | Units |
|-------------------------|---------------|-------|
| Input /Output Connector | 2.92mm Female | |
| DC Connector | SMA Female | |
| Case Material | Aluminum | |
| Finish | Blue Paint | |
| Size | 15*32*10 | mm |
| Weight | 45 | g |

Absolute Maximum Ratings:

| Parameter | Value |
|-----------------------|----------------------|
| Bias DC Voltage | +50 V DC |
| RF Input Power | +30 dBm |
| ESD sensitivity (HBm) | Class 0, passed 150V |

Outline Drawing:



Environmental Conditions:

| Parameter | Min. | Typ. | Max. | 单位Units |
|---------------------------------|---|------|------|---------|
| Operating Temperature | -45 | | +85 | °C |
| Non-operating Temperature | -55 | | +125 | °C |
| Relative humidity | | 95 | | % |
| Altitude | 50,000 | | | feet |
| Shock / Vibration(MIL-STD-810F) | 25g rms (15 degree 2KHz) endurance, 1 hour per axis | | | |
| Shock(non operating) | 20G for 11msc half sin wave,3 axis both directions | | | |

Ordering Information:

| Part Number | Description | Revision |
|-------------------|--|----------|
| TLBT-30K27G-50-KS | Broadband Bias Tee 2.92mm,30KHz-27GHz,50V | Rev.1.1 |

Notes:

1. All data taken @ +23°C unless otherwise specified.
2. Dimensions and specifications may be changed without prior notice.