

## Model: TLBT-16K43G-50H-KS

**High Current Broadband Bias Tee**  
2.92mm,16KHz-43GHz,50V

### Feature:

- Ultra Wide Band: 16KHz-43GHz
- Low Insertion Loss
- High Voltage
- High Current Capacity

## Electrical Specifications:

| Parameter       | Min.     | Typ. | Max. | Units |
|-----------------|----------|------|------|-------|
| Frequency range | 16KHz-43 |      |      | GHz   |
| Insertion Loss  |          |      | 4.0  | dB    |
| Return Loss     |          | -12  |      | dB    |
| Isolation       |          | 30   |      | dB    |
| DC Voltage      |          |      | 50   | V DC  |
| DC Current      |          |      | 1100 | mA    |
| RF Power        |          |      | 1    | W     |

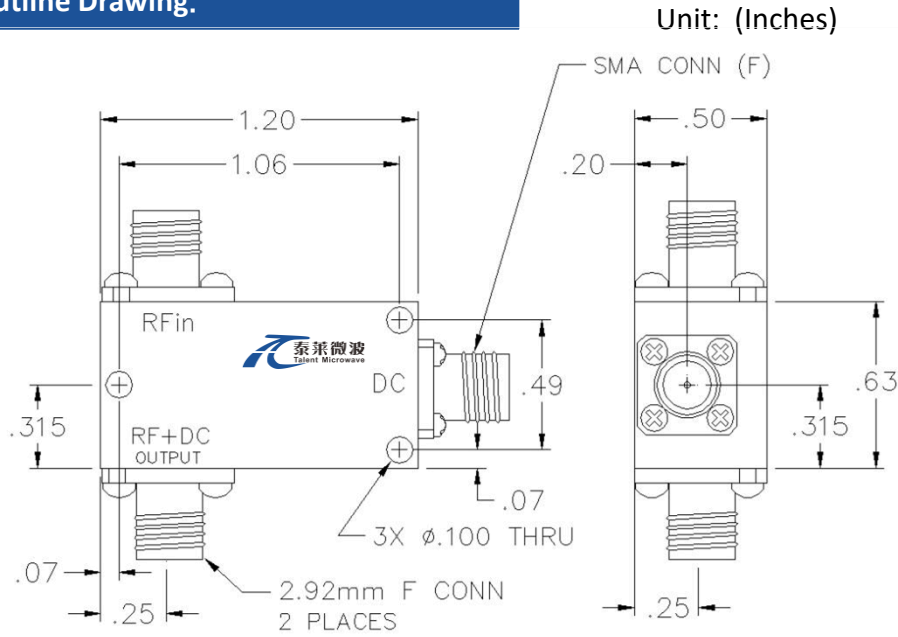
## Mechanical Specifications:

| Parameter               | Value         | Units |
|-------------------------|---------------|-------|
| Input /Output Connector | 2.92mm Female |       |
| DC Connector            | SMA Female    |       |
| Case Material           | Aluminum      |       |
| Finish                  | Blue Paint    |       |
| Size                    | 15*32*10      | mm    |
| Weight                  | 45            | g     |

## Absolute Maximum Ratings:

| Parameter             | Value                |
|-----------------------|----------------------|
| Bias DC Voltage       | +50 V DC             |
| RF Input Power        | +30 dBm              |
| ESD sensitivity (HBm) | Class 0, passed 150V |

**Outline Drawing:**



**Environmental Conditions:**

| Parameter                       | Min.  | Typ. | Max. | 单位Units |
|---------------------------------|---|------|------|---------|
| Operating Temperature           | -45   |      | +85  | °C      |
| Non-operating Temperature       | -55   |      | +125 | °C      |
| Relative humidity               |   | 95   |      | %       |
| Altitude                        | 50,000  |      |      | feet    |
| Shock / Vibration(MIL-STD-810F) | 25g rms (15 degree 2KHz) endurance, 1 hour per axis |      |      |         |
| Shock(non operating)            | 20G for 11msc half sin wave,3 axis both directions  |      |      |         |

**Ordering Information:**

| Part Number        | Description   | Revision |
|--------------------|---|----------|
| TLBT-16K43G-50H-KS | High Current Broadband Bias Tee<br>2.92mm,16KHz-43GHz,50V | Rev.1.1  |

**Notes:**

1. All data taken @ +23°C unless otherwise specified.
2. Dimensions and specifications may be changed without prior notice.

Typical Performance Data::

Insertion Loss&VSWR vs Frequency

