

Model: TMLA-040060-3050-19-N
Low Noise Amplifier
40-60GHz, NF:5.0 dB, Gain:30 dB
Feature:

- Ultra Wide Band: 40-60 GHz
- Gain: 30dB Min
- Noise Figure: 5.0dB Typ
- Unconditional stability

Electrical Specifications:

Parameter	Min	Typ	Max	Units
Frequency range	40		60	GHz
Gain	30			dB
Noise Figure		5.0		dB
Output P1dB		15		dBm
Input VSWR		2		:1
Output VSWR		2		:1
DC Voltage		+8		V DC
DC power supply		250		mA

Mechanical Specifications:

Parameter	Value	Units
Input Connector	WR-19/ UG-383/U	
Output Connector	WR-19/ UG-383/U	
Power Supply Pin	Solder Pin	
Size	45*30*30	mm

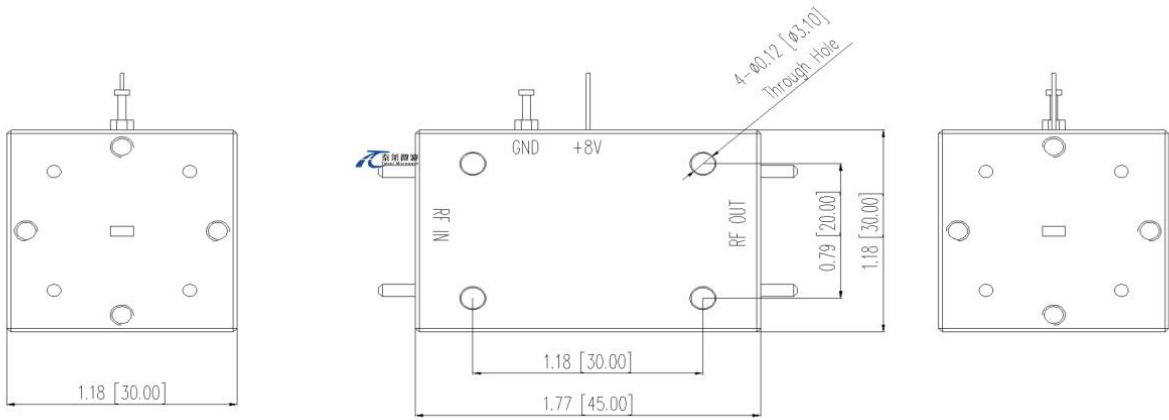
Absolute Maximum Ratings:

Parameter	Value
Supply Bias Voltage	+8 V
RF Input Power	TBD
ESD sensitivity (HBm)	Class 0, passed 150V


**Available 220V System
 Benchtop Amplifier**

Outline Drawing:

Unit: Inches(mm)



OBSERVE PRECAUTIONS
ELECTROSTATIC SENSITIVE
DEVICES

Environmental Conditions:

Parameter	Min	Typ	Max	Units
Operating Temperature	-40		+75	°C
Non-operating Temperature	-55		+85	°C
Relative humidity		95		%
Altitude	50,000			feet
Shock / Vibration(MIL-STD-810F)	25g rms (15 degree 2KHz) endurance, 1 hour per axis			
Shock(non operating)	20G for 11msc half sin wave,3 axis both directions			

Ordering Information:

Part Number	Description	Revision
TMLA-040060-3050-19-N	Low Noise Amplifier,40-60GHz, Noise Figure:5.0dB, Gain:30dB,+8V DC,WR-19	Rev.1.1