

**Model: TLHM-320360-0240-2.8**
**Sub-Harmonic Mixer**
**RF:320-360 GHz,LO:160-180GHz,IF:DC-40 GHz**
**Feature:**

- Low LO Power Requirement
- Subharmonic Mixing
- Compact Package

**Electrical Specifications:**

Parameter	Min	Typ	Max	Units
RF Frequency	320		360	GHz
LO Frequency	160		180	GHz
IF Frequency	DC		40	GHz
LO-Input power		10		dBm
RF Input Power			0	dBm
RF VSWR		3		:1
SSB Conversion Loss		-12		dB

**Mechanical Specifications:**

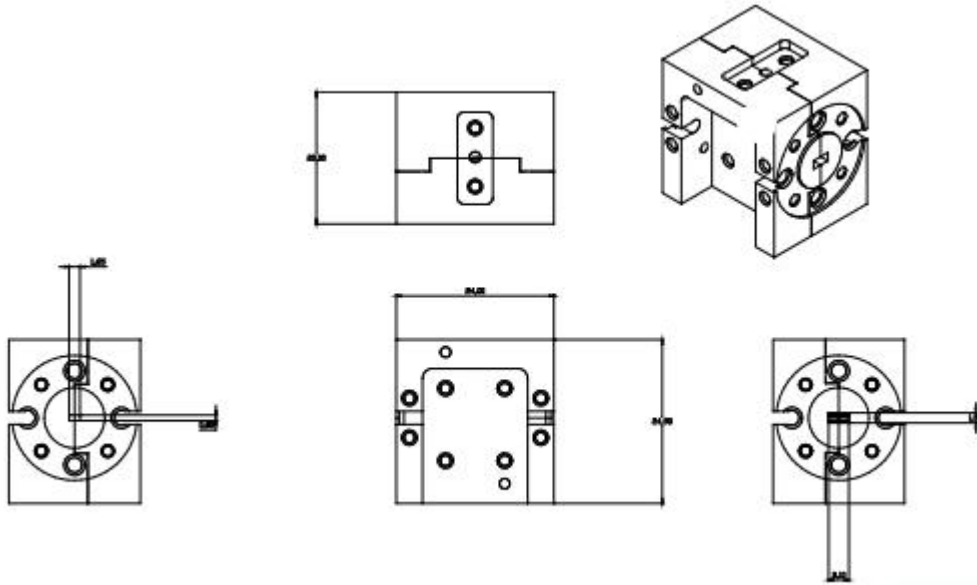
Parameter	Value	Units
RF Connector	WR-2.8/UG-387	
LO Connector	WR-5.1/UG-387	
IF Connector	2.92mm Female	
Size	25*27.1*19.1	mm

**Absolute Maximum Ratings:**

Parameter	Value
RF Input Power	0dBm
ESD sensitivity (HBm)	Class 0, passed 150V

**Outline Drawing:**

Unit: mm



OBSERVE PRECAUTIONS  
ELECTROSTATIC SENSITIVE  
DEVICES

**Environmental Conditions:**

Parameter	Min	Typ	Max	Units
Operating Temperature	0		+45	°C
Non-operating Temperature	-25		+65	°C
Relative humidity		95		%
Altitude	50,000			feet
Shock / Vibration(MIL-STD-810F)	25g rms (15 degree 2KHz) endurance, 1 hour per axis			
Shock(non operating)	20G for 11msc half sin wave,3 axis both directions			

**Ordering Information:**

Part Number	Description	Revision
TLHM-320360-0240-2.8	Subharmonically Mixer RF:320-360GHz,LO:160-180GHz,IF:DC-40GHz	Rev.1.1