

Model: TLHM-260400-0230-2.8
Sub-Harmonic Mixer
RF:260-400 GHz,LO:130-200GHz,IF:DC-30 GHz
Feature:

- Low LO Power Requirement
- Subharmonic Mixing
- Compact Package

Electrical Specifications:

Parameter	Min	Typ	Max	Units
RF Frequency	260		400	GHz
LO Frequency	130		200	GHz
IF Frequency	DC		30	GHz
LO-Input power	5	7.1	8	dBm
RF Input Power	-40	-10	5	dBm
Point of compression	-5	-4.5	-3.5	dBm
SSB Conversion Loss	8.5	10	11	dB

Mechanical Specifications:

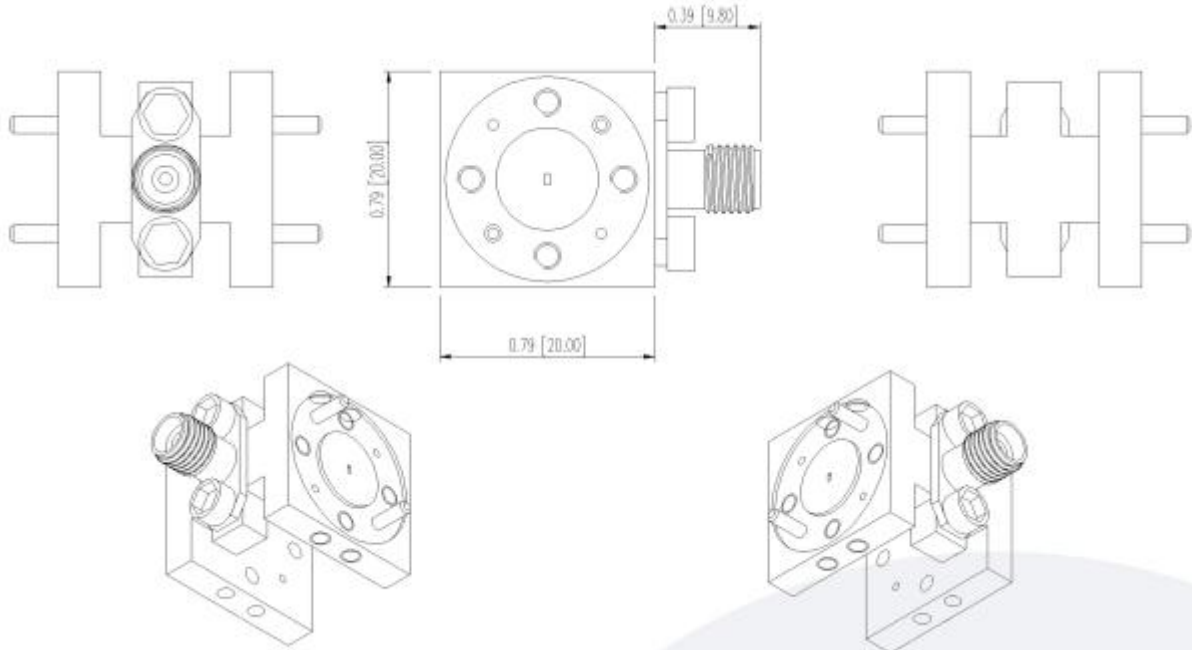
Parameter	Value	Units
RF Connector	WR-2.8/UG-387	
LO Connector	WR-5.1/UG-387	
IF Connector	2.92mm Female	
Size	1.295*0.648	mm

Absolute Maximum Ratings:

Parameter	Value
RF Input Power	5dBm
LO Input Power	10 dBm
ESD sensitivity (HBm)	Class 0, passed 150V

Outline Drawing:

Unit: mm



Environmental Conditions:



OBSERVE PRECAUTIONS
ELECTROSTATIC SENSITIVE
DEVICES

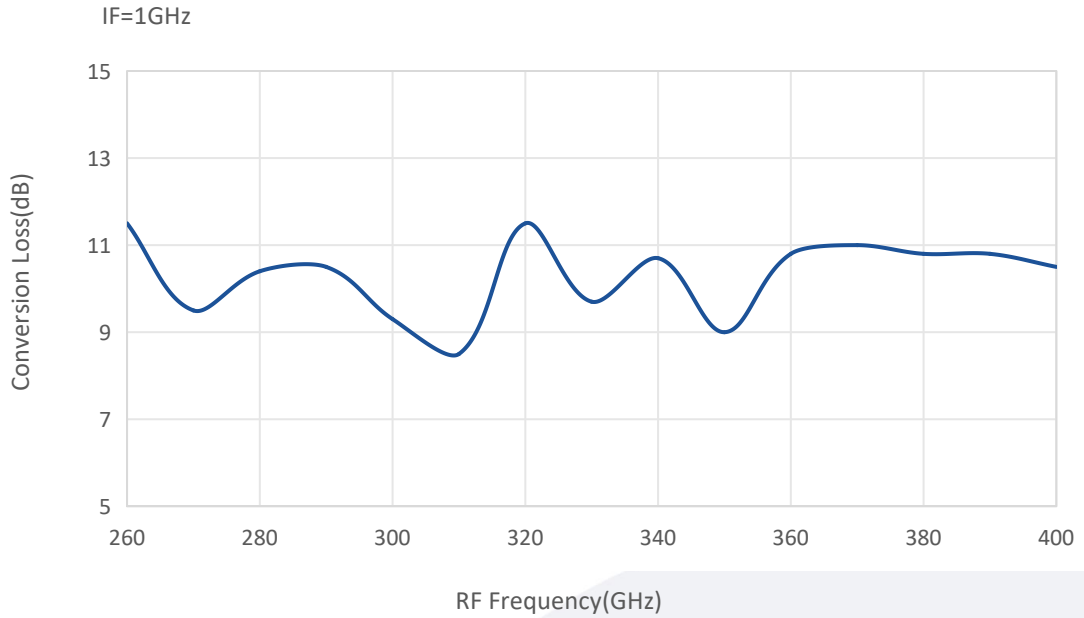
Parameter	Min	Typ	Max	Units
Operating Temperature	-55		+85	°C
Non-operating Temperature	-60		+150	°C
Relative humidity		95		%
Altitude	50,000			feet
Shock / Vibration(MIL-STD-810F)	25g rms (15 degree 2KHz) endurance, 1 hour per axis			
Shock(non operating)	20G for 11msc half sin wave,3 axis both directions			

Ordering Information:

Part Number	Description	Revision
TLHM-260400-0230-2.8	Subharmonically Mixer RF:260-400GHz,LO:130-200GHz,IF:DC-30GHz	Rev.1.1

Typical Performance Data:

Conversion Loss vs RF Frequency



Conversion Loss vs RF Frequency

