

Model: TLSM-050075-04-15
**V-band Spectrum Frequency Extension Systems
 50-75 GHz,WR-15**
Feature:

- Ultra Wide Band: 50-75 GHz
- Low conversion loss
- Unconditional stability
- High performance alternative to harmonic mixers

Electrical Specifications :

Parameter	Min.	Typ.	Max.	Units
Frequency range	50		75	GHz
IF Output Frequency	DC		5	GHz
LO Input Frequency	12.5		18.75	GHz
LO Multiplication Factor		4		
Mixer Conversion Loss SSB		8		dB
LO Input Power	3	7	10	dBm
RF Input Power		-10	0	dBm

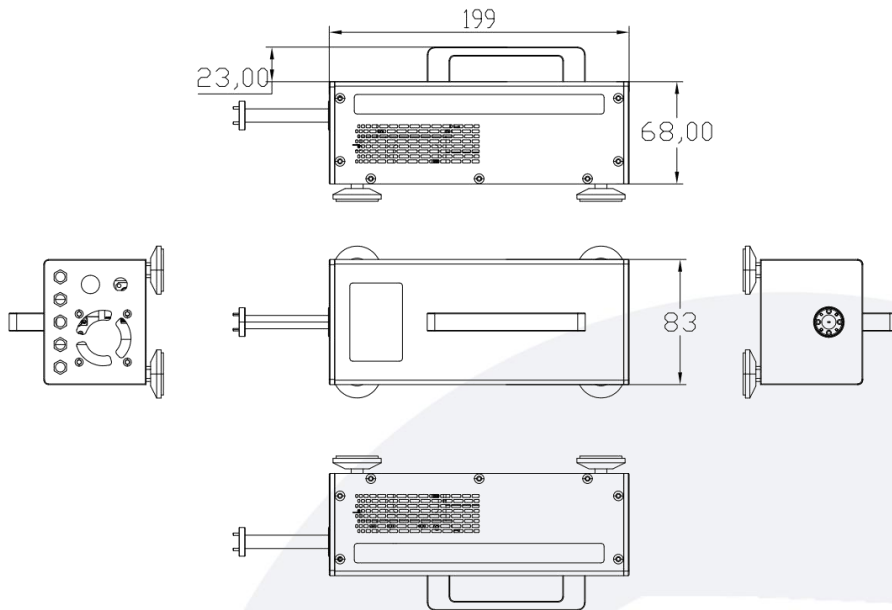
Mechanical Specifications :

Parameter	Value
RF Input Ports	WR-15UG-387/UM
LO/IF Ports	SMA Female
LO Input Ports	SMA Female
IF Input Ports	SMA Female
Power Supply Pin	FGG 0B 4 Core
尺寸 Size	199mm*68mm* 83mm

Absolute Maximum Ratings:

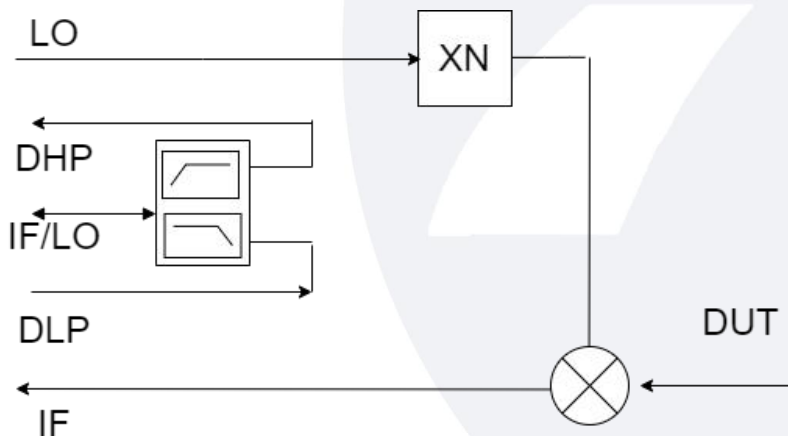
Parameter	Value
Supply Bias Voltage	240V
Input Power	10dBm

Outline Drawing:



TLSM-050075-04-15

Block Diagrams:



Environmental Conditions:

Parameter	Min.	Typ.	Max.	Units
Operating Temperature	0		+50	°C
Non-operating Temperature	-45		+125	°C
Relative humidity		95		%
Altitude	50,000			feet
Shock / Vibration(MIL-STD-810F)	25g rms (15 degree 2KHz) endurance, 1 hour per axis			
Shock(non operating)	20G for 11msc half sin wave,3 axis both directions			

Ordering Information:

Part Number	Description	Revision
TLSM-050075-04-15	V-band Spectrum Frequency Extension Systems, 50-75GHz, Mixer Conversion Loss SSB:8dB	Rev.1.1

随货配件 Components Included :

Part Number	Description	Quantity
TLACTDC-22012	AC-to-DC Power Adapter	1 PCS

Notes:

1. Dimensions and specifications may be changed without prior notice.
2. Standard Warranty:three years.