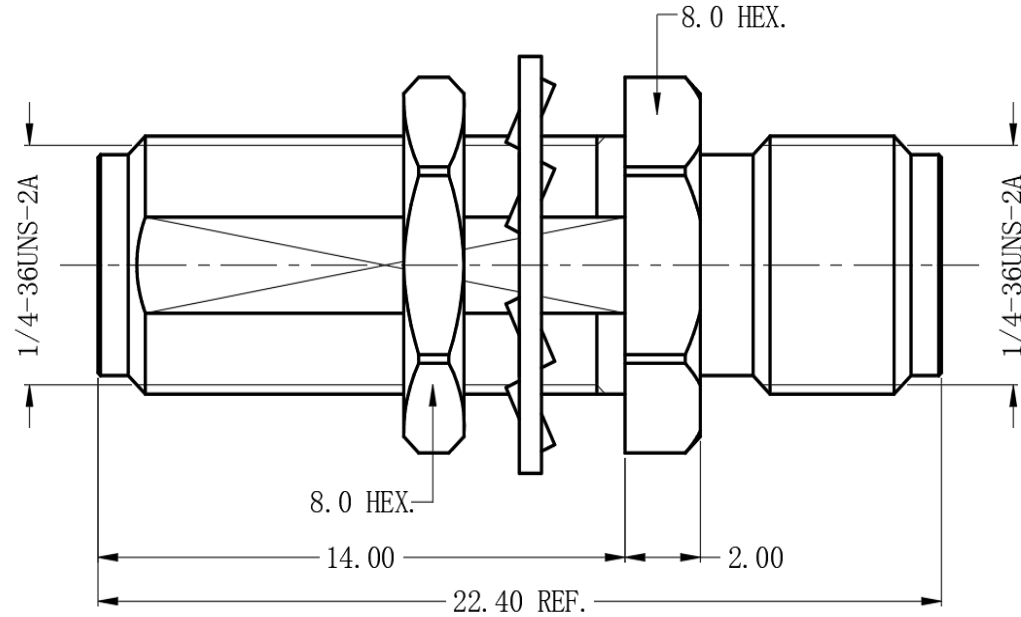


Suggested hole size



### Electrical & Environmental Characteristics

Impedance	50 Ohm
Insulation Resistance	5000 MΩ
Operating Frequency	DC~40GHz
Dielectric Withstanding Voltage	1000V
VSWR	≤1.25
Insertion Loss	≤0.40dB
Operating Temperature	- 55~+125 °C

### Material & Coat-Plating

Inner Conductor	Non-magnetic beryllium copper, Gold Plated
Dielectric	PEI
Body	Non-magnetic beryllium copper, Gold Plated

THIS DRAWING IS A CONTROLLED DOCUMENT		DWN	Suzhou Talent Microwave, Inc		
		CHK			
Unit mm	TOLERANCES UNLESS OTHERWISE SPECIFIED 0 PLC ±0.25 1 PLC ±0.15 2 PLC ±0.12 3 PLC ± 3 PLC ± ANGLES ±1°	APVD	Product Model  2.92-KYK-NM 2.92mm Female to 2.92mm Female bulkhead adaptor with non-magnetic		
		PRODUCT SPEC			
		APPLICATION SPEC	SIZE A4	GAGE CODE 0T8L4	DRAWING NO
MATERIAL SEE TABLE	FINISH SEE TABLE	WEIGHT			
		CUSTOMER DRAWING			
				SHEET1 OF 1	RVE 1