

Power Limiter

0.5-18GHz /200W,Power Handling

Model: TLMT-0.5G18G-53-10

The TLMT-0.5G18G-53-10 is a broadband limiter product. This limiter has an operating frequency range that can cover 0.5-18 GHz and features stable performance.

Features:

- Frequency range:0.5-18 GHz
- RF Power Handling:200W(Pulse width: 3 us, duty cycle: 3%)
- Limiting power:10 dBm
- Low Insertion Loss
- 50 Ohm Matched Input / Output

Applications:

- Communication receiver
- Laboratory test
- Sensor radar

Electrical Characteristics:

Parameter	Min	Typ	Max	Units
Frequency range	0.5-18			GHz
Insertion Loss		1.5		dB
Limiting power		10		dBm
Input VSWR		1.8	2	:1
Output VSWR		1.8	2	:1
Power handling	200W(Pulse width: 3 us, duty cycle: 3%)			
Impedance	50			Ohms

*Note: Heatsink needs to be installed when limiter operating at high power.

Mechanical Specifications:

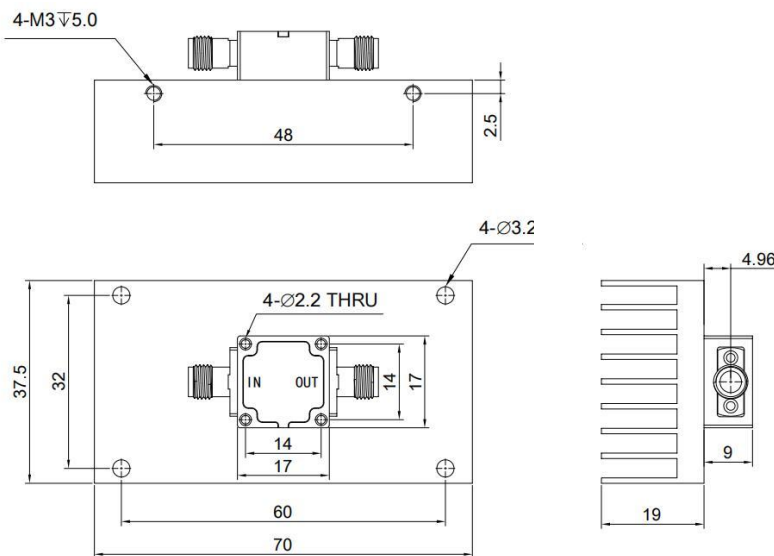
Parameter	Value	Units
Input /Output Connector	SMA Female/SMA Female	
Size	17*17*9	mm

Absolute Maximum Ratings:

Parameter	Value
RF Input Power	200W
ESD sensitivity (HBm)	Class 0, passed 150V

Outline Drawing:

Unit:mm



Regulatory Compliance:



Environmental Conditions:



ESD Protection: Strictly adhere to ESD precautions to prevent electrostatic damage.

Parameter	Min	Typ	Max	Units
Operating Temperature	-45		+85	°C
Non-operating Temperature	-55		+125	°C
Relative humidity		95		%
Altitude		10,000		feet
Shock / Vibration(MIL-STD-810F)	25g rms (15 degree 2KHz) endurance, 1 hour per axis			
Shock(non operating)	20G for 11msc half sin wave,3 axis both directions			

Ordering Information:

Base Number	Description	Revision
TLMT-0.5G18G-53-10	Power Limiter, 0.5-18GHz, Limiting power:10 dBm	Rev.1.1